

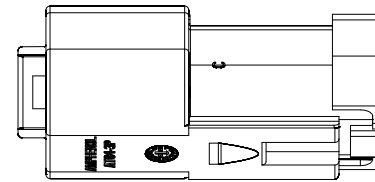
NOTES: UNLESS OTHERWISE SPECIFIED

1 DIMENSIONS ARE FOR REFERENCE ONLY.

2 PART NUMBER AT04-3P-RJ120 IS FULLY ASSEMBLED READY FOR INSTALLATION.

3 COLOR TO BE SINE SYSTEMS STANDARD 'AT' GREY.

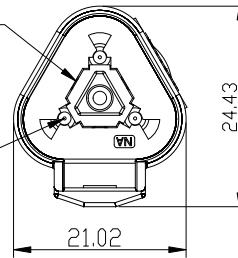
REVISIONS						
REV	ZONE	ECO	DESCRIPTION	DATE	BY	APPR
02	--	--	UPDATE CONTACT PART NUMBER	06MAR12	--	RFC
03	--	--	UPDATE DRAWING FORMAT	06NOV13	DRP	DRP
04	--	--	ADDED DATE CODE FEATURE	13DEC24	JHEAD	TZ



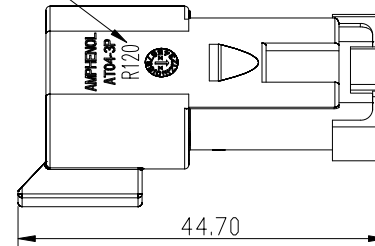
SEAL RETAINING CAP

LASER MARK "R120"  
RESISTOR VALUE

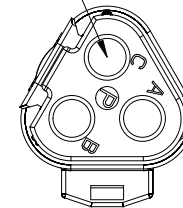
WEDGE  
AW3P-1939



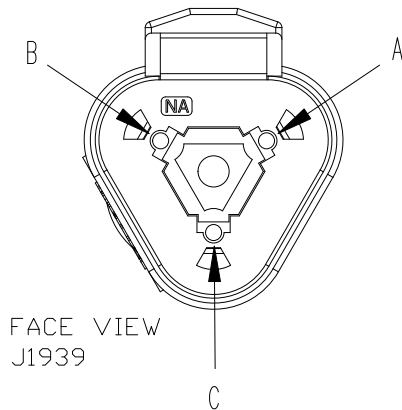
MALE CONTACT  
MACHINED, GOLD  
AT60-202-1631  
2x



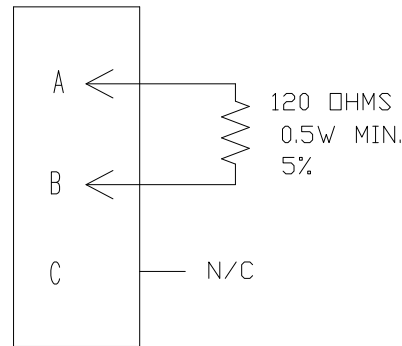
REAR SOLID SEAL



WIRING DIAGRAM



FACE VIEW  
J1939



*CUSTOMER DRAWING*

ITEM	PART NUMBER	Qty	DESCRIPTION	REMARK
<b>MATERIALS LIST</b>				
UNLESS OTHERWISE SPECIFIED 1) All dimensions are in metric(mm). 2) Tolerances are as follows: 1 PL DEC ±0.20 2 PL DEC ±0.10 3 PL DEC ±0.05			MATERIAL SPECIFICATIONS:	SINE Systems Corporation A Subsidiary of Amphenol Corporation
Fractions ±1/64 Angles ±1°			PROCESS SPECIFICATIONS: IPC-A-620	
SIGNATURE		DATE	THIS DRAWING IS SUPPLIED FOR INFORMATION ONLY. DESIGN FEATURES, SPECIFICATIONS AND PERFORMANCE DATA SHOWN HEREON ARE THE PROPERTY OF THE AMPHENOL CORPORATION. NO RIGHTS OF REPRODUCTION ARE IMPLIED. ALL DIMENSIONS ARE SUBJECT TO NORMAL MANUFACTURING VARIATIONS.	
DRAWN	R. CURRY	02-MAR-12		
CHECKED	R. CURRY	02-MAR-12		
ENGINEER	R. CURRY	02-MAR-12		
APPROVAL	R. CURRY	02-MAR-12		
CUSTOMER	ALL			
			RECEIPT, 3 WAY, J1939, 120 OHM, GREY	
			DWG NO: AT04-3P-RJ120	
			THIRD ANGLE PROJECTION	FSCM NO.
			SIZE	MASS
			REV.	SCALE
			A3	04 NONE
			NEXT ASSY:	
			SHEET 1 OF 1	