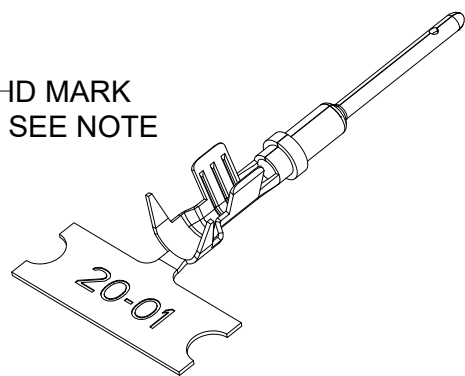
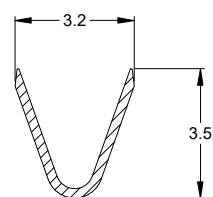


REVISIONS					
REV	ECO	DESCRIPTION	DATE	BY	APPR
A3	-	RELEASE NEW DWG FORMAT	30/JUN/13	DRP	-
A4	C0855S	CONTACT INFORMATION UPDATED	03/MAY/18	ROOKIE	TOMMY
A5	C1070S	UPDATE DRAWING	02/JUL/19	JOE	TOMMY
B1	C1298S	UPDATE PLATING	14/SEP/20	SULLEN	TOMMY
B2	-	CORRECTED PLATING ZONES	12/APR/24	CHRIS	TODD
B3	-	ADDED NOTE 9	11/17/25	CHRIS	-

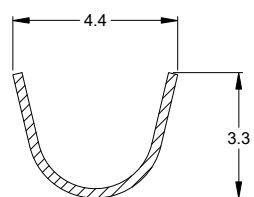


NOTES: UNLESS OTHERWISE SPECIFIED

- MATERIAL: COPPER ALLOY
- PLATING: SEE PART NUMBER CHART
- CONTACT SIZE: 20
- SPECIFICATIONS:
 - CURRENT RATING: 7.5 AMPS
 - CONTACT MILLIVOLT DROP: 100 MILLIVOLT DROP @ 7.5 AMP TEST CURRENT.
 - RoHS COMPLIANT
- RECOMMENDED WIRE RANGE: 16 - 22 AWG (1.5 - 0.35MM²)
RECOMMENDED INSUL O.D.: 1.91 - 3.15MM (0.075 - 0.125INCH)
- PACKAGE: 4000 PCS/REEL
- AVAILABLE APPLICATORS: MFX-3974-K OR MFX-3974-G
- ALL DIMENSIONS ARE FOR REFERENCE USE ONLY
- ID MARK PRESENT OR NOT DETERMINES MANUFACTURE SITE



SECTION A-A



SECTION B-B

PART NUMBER CHART		
PLATING	PART NUMBER	PLATING DESCRIPTION
NICKEL	AT60-20-0122	SELECTIVE TIN OVER NICKEL OVERALL IN Δ ZONE
GOLD	AT60-20-0144	SELECTIVE GOLD FLASH OVER NICKEL OVERALL IN Δ ZONE OR ENTIRE CONTACT
TIN	AT60-20-0177	TIN OVER NICKEL OVERALL

SEE PART NUMBER CHART	REF: 1000-20-0144, 1000-20-0122, 1000-20-0177	
PART NUMBER	DESCRIPTION	ITEM

QUANTITY		MATERIALS LIST	
UNLESS OTHERWISE SPECIFIED 1) All dimensions are in metric(mm) 2) Tolerances are as follows: 1 PL DEC ±0.30 Fractions ±1/64 2 PL DEC ±0.15 Angles ±1° 3 PL DEC ±0.08 3) Note reference = Δ		SIGNATURES	DATE
DRAWN: SULLEN,ZHANG		14/SEP/20	
CHECKED: ORION,LI		15/SEP/20	
ENGINEER:			
APPROVAL: TOMMY,XIE		16/SEP/20	
MATERIAL SPECIFICATIONS:		CUSTOMER:	
PROCESS SPECIFICATIONS:		THIS DRAWING IS SUPPLIED FOR INFORMATION ONLY. DESIGN FEATURES, SPECIFICATIONS AND PERFORMANCE DATA SHOWN HEREON ARE THE PROPERTY OF THE AMPHENOL CORPORATION. NO RIGHTS OF REPRODUCTION ARE IMPLIED. ALL DIMENSIONS ARE SUBJECT TO NORMAL MANUFACTURING VARIATIONS.	
NEXT ASSY:	SIZE	TYPE	DWG NO:
	B	C-	AT60-20-01XX
	SCALE	NONE	REVISION
			B3



CONTACT, PIN, STAMPED, SIZE 20, 16-22 AWG, A SERIES

SIZE	TYPE	DWG NO:	REVISION
B	C-	AT60-20-01XX	B3
SCALE	NONE		

TITLE: CONTACT, PIN, STAMPED, SIZE 20, 16-22 AWG, A SERIES
DWG NO.: AT60-20-01XX
REV: B3
SH: 1
OF: 1