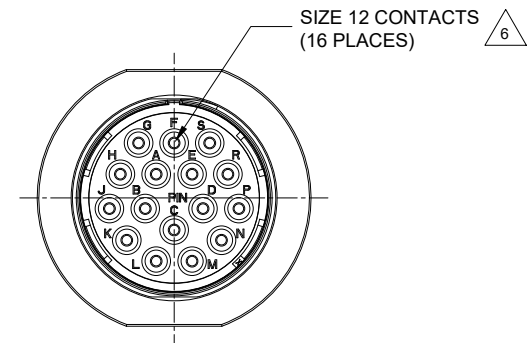
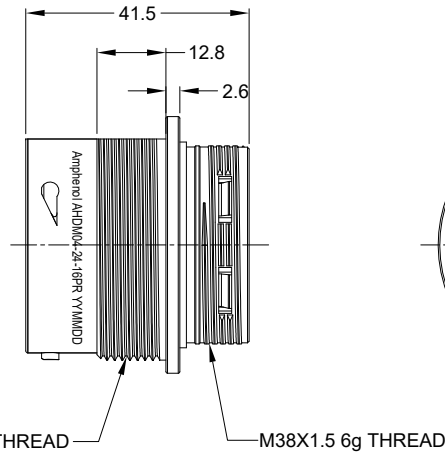
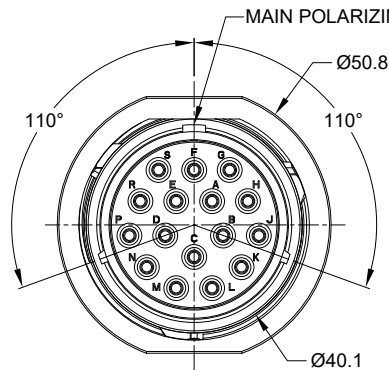


| REVISIONS | | | | | |
|-----------|-----|--------------------------|---------|--------|-------|
| REV | ECO | DESCRIPTION | DATE | BY | APPR |
| A1 | -- | RELEASE NEW DRAWING | 26AUG20 | SULLEN | TOMMY |
| A2 | -- | REVISED PART DESCRIPTION | 10NOV20 | JHEAD | DH |



NOTES: UNLESS OTHERWISE SPECIFIED

1. MATERIAL:

SHELL: ZINC ALLOY, NICKEL PLATED
 COUPLING RING: ALUMINUM ALLOY, NICKEL PLATED
 INSERT AND RETAINING RING: THERMOPLASTIC
 SEAL: SILICONE RUBBER

2. MODIFICATIONS: THREADED ADAPTER;
 REDUCED DIA. WIRE SEAL.

3. SPECIFICATIONS:

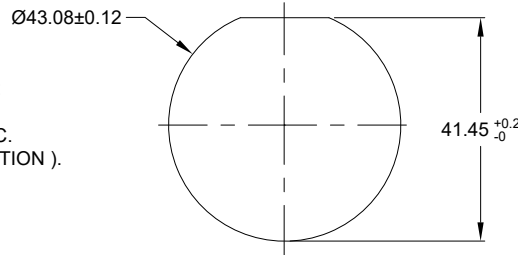
- 3.1 OPERATING TEMPERATURE: -55°C TO +125°C.
- 3.2 DIELECTRIC WITHSTANDING VOLTAGE: LESS THAN 2 MILLIAMPS CURRENT LEAKAGE @ 1500 VOLTS AC.
- 3.3 INSULATION RESISTANCE: 1000 MEGOHM MIN @ 25°C.
- 3.4 MOISTURE RESISTANCE: IP67&IP69K (MATED CONDITION).
- 3.5 MATING CYCLE DURABILITY: 100 CYCLES
- 3.6 RoHS COMPLIANT

4. MATING PART: AHDM06-24-16S* (* = SEAL TYPE)

5. ALL DIMENSIONS ARE FOR REFERENCE USE ONLY.

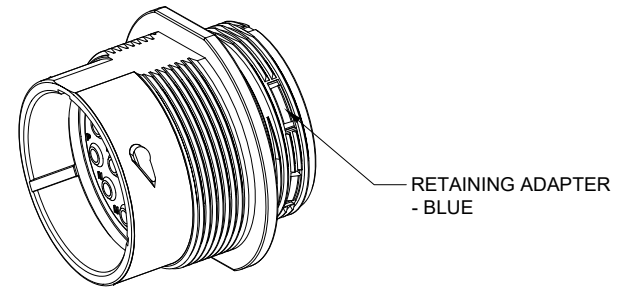
6. CONTACT SIZE AND WIRE RANGE:

| CONTACT SIZE | MIN. INSUL O.D. | MAX. INSUL O.D. | TYPICAL WIRE RANGE | CURRENT RATING |
|--------------|-------------------|-------------------|-------------------------------------|----------------|
| 12 | 2.46 mm (.097 in) | 4.01 mm (.158 in) | 10-14 AWG (6.0-2.0mm ²) | 25 AMPS |



RECOMMENDED PANEL MOUNTING HOLE

RECOMMENDED PANEL THICKNESS: 1.6 TO 4.7MM



RETAINING ADAPTER - BLUE

| QUANTITY | AHDM04-24-16PR | REF: HD34-24-16PE | DESCRIPTION | ITEM | | | | | | | | | | | | | | | | | | | | | | | | | | | | | | | | | | | | | | | | | | | | | |
|-------------------------------------------------------------------------------------------------------------------------------------------------------------------------------------------------------------------------------------------------------------------------------------------------------------------------------------------------------------------------------------------------------------------------------------------------------------------------------------------------------------------------------------------------------------------------------------------------------------------------------------------------------------------------------------------------------------------------------------------------------------------------------------------------------------------------------------------------------------------------------------------------------------------------------------------------------------------------------------------------------------------------------------------------------------------------------------------------------------------------------|----------------|----------------------------------------------------------------------------------------------------------------------------------------------------------------------------------------------------------------------------------------------------------------------|-------------|------|--------------------------|--|-----------|-------------------|--|----------------------------|-------------------|----------------------------------------------------------------------------------------------------------------------------------------------------------------------------------------------------------------------------------------------------------------------|---------|-----------|---------------------------------------|--|---------------------|--|---------|-------------------------------|--|----------------------------|--|--|----------------|--|--------------------------------------------------------------------|--|--|----------------|--|--------------|--|--|----------------|--|-------------|--|--|-----------------|--|--------------|--|--|------------|--|--|--|--|
| | PART NUMBER | | | | | | | | | | | | | | | | | | | | | | | | | | | | | | | | | | | | | | | | | | | | | | | | |
| <table border="1"> <thead> <tr> <th colspan="2">SIGNATURES</th> <th>DATE</th> </tr> </thead> <tbody> <tr> <td>DRAWN: SULENZHANG</td> <td></td> <td>26AUG20</td> </tr> <tr> <td>CHECKED: ORION LI</td> <td></td> <td>27AUG20</td> </tr> <tr> <td>ENGINEER:</td> <td></td> <td></td> </tr> <tr> <td>APPROVAL: TOMMY XIE</td> <td></td> <td>28AUG20</td> </tr> </tbody> </table> | | | | | SIGNATURES | | DATE | DRAWN: SULENZHANG | | 26AUG20 | CHECKED: ORION LI | | 27AUG20 | ENGINEER: | | | APPROVAL: TOMMY XIE | | 28AUG20 | | | | | | | | | | | | | | | | | | | | | | | | | | | | | | |
| SIGNATURES | | DATE | | | | | | | | | | | | | | | | | | | | | | | | | | | | | | | | | | | | | | | | | | | | | | | |
| DRAWN: SULENZHANG | | 26AUG20 | | | | | | | | | | | | | | | | | | | | | | | | | | | | | | | | | | | | | | | | | | | | | | | |
| CHECKED: ORION LI | | 27AUG20 | | | | | | | | | | | | | | | | | | | | | | | | | | | | | | | | | | | | | | | | | | | | | | | |
| ENGINEER: | | | | | | | | | | | | | | | | | | | | | | | | | | | | | | | | | | | | | | | | | | | | | | | | | |
| APPROVAL: TOMMY XIE | | 28AUG20 | | | | | | | | | | | | | | | | | | | | | | | | | | | | | | | | | | | | | | | | | | | | | | | |
| <table border="1"> <thead> <tr> <th colspan="2">MATERIAL SPECIFICATIONS:</th> <th colspan="3">CUSTOMER:</th> </tr> </thead> <tbody> <tr> <td colspan="2">UNLESS OTHERWISE SPECIFIED</td> <td colspan="3">THIS DRAWING IS SUPPLIED FOR INFORMATION ONLY. DESIGN FEATURES, SPECIFICATIONS AND PERFORMANCE DATA SHOWN HEREON ARE THE PROPERTY OF THE AMPHENOL CORPORATION. NO RIGHTS OF REPRODUCTION ARE IMPLIED. ALL DIMENSIONS ARE SUBJECT TO NORMAL MANUFACTURING VARIATIONS.</td> </tr> <tr> <td colspan="2">1) All dimensions are in metric (mm).</td> <td colspan="3">SIZE: B C-</td> </tr> <tr> <td colspan="2">2) Tolerances are as follows:</td> <td colspan="3">TYPE: NONE</td> </tr> <tr> <td colspan="2">1 PL DEC ±0.30</td> <td colspan="3">DWG NO: AHDM04-24-16PR</td> </tr> <tr> <td colspan="2">2 PL DEC ±0.15</td> <td colspan="3">REVISION: A2</td> </tr> <tr> <td colspan="2">3 PL DEC ±0.08</td> <td colspan="3">SCALE: NONE</td> </tr> <tr> <td colspan="2">Fractions ±1/64</td> <td colspan="3">SHEET 1 OF 1</td> </tr> <tr> <td colspan="2">Angles ±1°</td> <td colspan="3"></td> </tr> </tbody> </table> | | | | | MATERIAL SPECIFICATIONS: | | CUSTOMER: | | | UNLESS OTHERWISE SPECIFIED | | THIS DRAWING IS SUPPLIED FOR INFORMATION ONLY. DESIGN FEATURES, SPECIFICATIONS AND PERFORMANCE DATA SHOWN HEREON ARE THE PROPERTY OF THE AMPHENOL CORPORATION. NO RIGHTS OF REPRODUCTION ARE IMPLIED. ALL DIMENSIONS ARE SUBJECT TO NORMAL MANUFACTURING VARIATIONS. | | | 1) All dimensions are in metric (mm). | | SIZE: B C- | | | 2) Tolerances are as follows: | | TYPE: NONE | | | 1 PL DEC ±0.30 | | DWG NO: AHDM04-24-16PR | | | 2 PL DEC ±0.15 | | REVISION: A2 | | | 3 PL DEC ±0.08 | | SCALE: NONE | | | Fractions ±1/64 | | SHEET 1 OF 1 | | | Angles ±1° | | | | |
| MATERIAL SPECIFICATIONS: | | CUSTOMER: | | | | | | | | | | | | | | | | | | | | | | | | | | | | | | | | | | | | | | | | | | | | | | | |
| UNLESS OTHERWISE SPECIFIED | | THIS DRAWING IS SUPPLIED FOR INFORMATION ONLY. DESIGN FEATURES, SPECIFICATIONS AND PERFORMANCE DATA SHOWN HEREON ARE THE PROPERTY OF THE AMPHENOL CORPORATION. NO RIGHTS OF REPRODUCTION ARE IMPLIED. ALL DIMENSIONS ARE SUBJECT TO NORMAL MANUFACTURING VARIATIONS. | | | | | | | | | | | | | | | | | | | | | | | | | | | | | | | | | | | | | | | | | | | | | | | |
| 1) All dimensions are in metric (mm). | | SIZE: B C- | | | | | | | | | | | | | | | | | | | | | | | | | | | | | | | | | | | | | | | | | | | | | | | |
| 2) Tolerances are as follows: | | TYPE: NONE | | | | | | | | | | | | | | | | | | | | | | | | | | | | | | | | | | | | | | | | | | | | | | | |
| 1 PL DEC ±0.30 | | DWG NO: AHDM04-24-16PR | | | | | | | | | | | | | | | | | | | | | | | | | | | | | | | | | | | | | | | | | | | | | | | |
| 2 PL DEC ±0.15 | | REVISION: A2 | | | | | | | | | | | | | | | | | | | | | | | | | | | | | | | | | | | | | | | | | | | | | | | |
| 3 PL DEC ±0.08 | | SCALE: NONE | | | | | | | | | | | | | | | | | | | | | | | | | | | | | | | | | | | | | | | | | | | | | | | |
| Fractions ±1/64 | | SHEET 1 OF 1 | | | | | | | | | | | | | | | | | | | | | | | | | | | | | | | | | | | | | | | | | | | | | | | |
| Angles ±1° | | | | | | | | | | | | | | | | | | | | | | | | | | | | | | | | | | | | | | | | | | | | | | | | | |
| <table border="1"> <thead> <tr> <th colspan="2">MATERIALS LIST</th> <th colspan="3">Amphenol</th> </tr> </thead> <tbody> <tr> <td colspan="2"></td> <td colspan="3">Sine Systems - www.amphenol-sine.com</td> </tr> <tr> <td colspan="2"></td> <td colspan="3">44724 Morley Drive</td> </tr> <tr> <td colspan="2"></td> <td colspan="3">Clinton Township, MI 48036</td> </tr> <tr> <td colspan="2"></td> <td colspan="3">RECEPTACLE, 24 SZ, 16 PIN, STD ARRANGEMENT, RD SEAL, DURAMATE AHDM</td> </tr> </tbody> </table> | | | | | MATERIALS LIST | | Amphenol | | | | | Sine Systems - www.amphenol-sine.com | | | | | 44724 Morley Drive | | | | | Clinton Township, MI 48036 | | | | | RECEPTACLE, 24 SZ, 16 PIN, STD ARRANGEMENT, RD SEAL, DURAMATE AHDM | | | | | | | | | | | | | | | | | | | | | | |
| MATERIALS LIST | | Amphenol | | | | | | | | | | | | | | | | | | | | | | | | | | | | | | | | | | | | | | | | | | | | | | | |
| | | Sine Systems - www.amphenol-sine.com | | | | | | | | | | | | | | | | | | | | | | | | | | | | | | | | | | | | | | | | | | | | | | | |
| | | 44724 Morley Drive | | | | | | | | | | | | | | | | | | | | | | | | | | | | | | | | | | | | | | | | | | | | | | | |
| | | Clinton Township, MI 48036 | | | | | | | | | | | | | | | | | | | | | | | | | | | | | | | | | | | | | | | | | | | | | | | |
| | | RECEPTACLE, 24 SZ, 16 PIN, STD ARRANGEMENT, RD SEAL, DURAMATE AHDM | | | | | | | | | | | | | | | | | | | | | | | | | | | | | | | | | | | | | | | | | | | | | | | |

TITLE: RECEPTACLE, 24 SZ, 16 PIN, STD ARRANGEMENT, RD SEAL, DURAMATE AHDM
 DWG NO: AHDM04-24-16PR
 REV: A2
 SHEET 1 OF 1

AHD, ARB, ATP, ATHD, DuraMate™ and PanelMate™ Series

Size 12 Contact & Tooling Options

Contacts - Machined

| Part Number | Type | Style | Contact Size | Amp | Wire Range (AWG) | Wire Range (mm ²) | Insulation OD (mm) | Plating | Reel Size | Packaging |
|--------------------|--------|----------|--------------|-----|------------------|-------------------------------|--------------------|---------------|-----------|-----------|
| AT60-204-12141-10 | Pin | Machined | Size 12 | 25A | 10-12AWG | - | - | Nickel-Plated | - | - |
| AT60-204-12141 | Pin | Machined | Size 12 | 25A | 12-14AWG | - | - | Nickel-Plated | - | - |
| AT60-220-1231 | Pin | Machined | Size 12 | 25A | 12-14AWG | - | - | Gold-Plated | - | - |
| AT60-204-12NKIT | Pin | Machined | Size 12 | 25A | 12-14AWG | - | - | Nickel-Plated | - | - |
| AT60-220-1231-1618 | Pin | Machined | Size 12 | 25A | 16-18AWG | - | - | Gold-Plated | - | - |
| AT60-220-1231-1820 | Pin | Machined | Size 12 | 25A | 18-20AWG | - | - | Gold-Plated | - | - |
| AT62-203-12141-10 | Socket | Machined | Size 12 | 25A | 10-12AWG | - | - | Nickel-Plated | - | - |
| AT62-203-12141 | Socket | Machined | Size 12 | 25A | 12-14AWG | - | - | Nickel-Plated | - | - |
| AT62-203-12NKIT | Socket | Machined | Size 12 | 25A | 12-14AWG | - | - | Nickel-Plated | - | - |
| AT62-210-1231 | Socket | Machined | Size 12 | 25A | 12-14AWG | - | - | Gold-Plated | - | - |
| AT62-210-1231-1618 | Socket | Machined | Size 12 | 25A | 16-18AWG | - | - | Gold-Plated | - | - |
| AT62-210-1231-1820 | Socket | Machined | Size 12 | 25A | 18-20AWG | - | - | Gold-Plated | - | - |

Contacts - Stamped & Formed

| | | | | | | | | | | |
|-----------------|--------|-----|---------|-----|----------|------------------------|---------------|---------------|---|-------------|
| AT60-12-0222 | Pin | S&F | Size 12 | 25A | 10-12AWG | 6.0-4.0mm ² | 3.56 - 5.18mm | Nickel-Plated | - | - |
| AT60-12-0222-LP | Pin | S&F | Size 12 | 25A | 10-12AWG | 6.0-4.0mm ² | 3.56 - 5.18mm | Nickel-Plated | - | Loose Piece |
| AT60-12-0244 | Pin | S&F | Size 12 | 25A | 10-12AWG | 6.0-4.0mm ² | 3.56 - 5.18mm | Gold-Plated | - | - |
| AT60-12-0244-LP | Pin | S&F | Size 12 | 25A | 10-12AWG | 6.0-4.0mm ² | 3.56 - 5.18mm | Gold-Plated | - | Loose Piece |
| AT60-12-0144 | Pin | S&F | Size 12 | 25A | 12-14AWG | 4.0-2.0mm ² | 2.87 - 4.47mm | Gold-Plated | - | - |
| AT60-12-0144-LP | Pin | S&F | Size 12 | 25A | 12-14AWG | 4.0-2.0mm ² | 2.87 - 4.47mm | Gold-Plated | - | Loose Piece |
| AT60-12-0166 | Pin | S&F | Size 12 | 25A | 12-14AWG | 4.0-2.0mm ² | 2.87 - 4.47mm | Nickel-Plated | - | - |
| AT60-12-0166-LP | Pin | S&F | Size 12 | 25A | 12-14AWG | 4.0-2.0mm ² | 2.87 - 4.47mm | Nickel-Plated | - | Loose Piece |
| AT62-12-0222 | Socket | S&F | Size 12 | 25A | 10-12AWG | 6.0-4.0mm ² | 3.56 - 5.18mm | Nickel-Plated | - | - |
| AT62-12-0222-LP | Socket | S&F | Size 12 | 25A | 10-12AWG | 6.0-4.0mm ² | 3.56 - 5.18mm | Nickel-Plated | - | Loose Piece |
| AT62-12-0244 | Socket | S&F | Size 12 | 25A | 10-12AWG | 6.0-4.0mm ² | 3.56 - 5.18mm | Gold-Plated | - | - |
| AT62-12-0244-LP | Socket | S&F | Size 12 | 25A | 10-12AWG | 6.0-4.0mm ² | 3.56 - 5.18mm | Gold-Plated | - | Loose Piece |
| AT62-12-0144 | Socket | S&F | Size 12 | 25A | 12-14AWG | 4.0-2.0mm ² | 2.87 - 4.47mm | Gold-Plated | - | - |
| AT62-12-0144-LP | Socket | S&F | Size 12 | 25A | 12-14AWG | 4.0-2.0mm ² | 2.87 - 4.47mm | Gold-Plated | - | Loose Piece |
| AT62-12-0166 | Socket | S&F | Size 12 | 25A | 12-14AWG | 4.0-2.0mm ² | 2.87 - 4.47mm | Nickel-Plated | - | - |
| AT62-12-0166-LP | Socket | S&F | Size 12 | 25A | 12-14AWG | 4.0-2.0mm ² | 2.87 - 4.47mm | Nickel-Plated | - | Loose Piece |

Tooling

| Part Number | Tool Name | Style | Contact Size | Wire Range (AWG) | Material | Color |
|-------------|------------------------------------------------|----------|---------------|------------------|----------|-------|
| MXF-3966 | Contact Locator for Hand Crimp Tool M300-25A | Machined | Size 12 | 10AWG | - | - |
| AUTK-12 | Hand Crimp Tool | Machined | Size 12 | 10-18AWG | - | - |
| M300-25A | Hand Crimp Tool w MXF-3966 Locator | Machined | Size 12 | 10-18AWG | - | - |
| CA-5E12 | Pneumatic Crimp Tool | Machined | Size 12/16/20 | 12-26AWG | - | - |
| CA-5D12 | Universal Hand Crimp Tool | Machined | Size 12/16/20 | 12-26AWG | - | - |
| AUTK-100 | Universal Heavy Duty Contact Crimping Tool Kit | Machined | Size 12/16/20 | 12-26AWG | - | - |

AHD, ARB, ATP, ATHD, DuraMate™ and PanelMate™ Series

Size 12 Contact & Tooling Options, cont.

Tooling, cont.

| Part Number | Tool Name | Style | Contact Size | Wire Range (AWG) | Material | Color |
|-----------------|---------------------------------------|-----------|--------------|------------------|---------------|--------|
| MFX-3973-G or K | Crimp Die Press Applicator | S&F | Size 12 | 12AWG | - | - |
| MFX-3985-G or K | Crimp Die Press Applicator | S&F | Size 12 | 10-12AWG | - | - |
| ATT-12-00 | Hand Crimp Tool | S&F | Size 12 | 12-14AWG | - | - |
| ATT-12-01 | Hand Crimp Tool | S&F | Size 12 | 10AWG | - | - |
| ATRT-100 | Contact and Wedgelock Extraction Tool | Universal | Universal | - | Steel | Silver |
| AT11-337-1205 | Contact Extraction Tool | Universal | Size 12 | - | Plastic | Orange |
| A114017 | Seal Plug | Universal | Size 12/16 | - | Thermoplastic | White |
| | | | | | | |