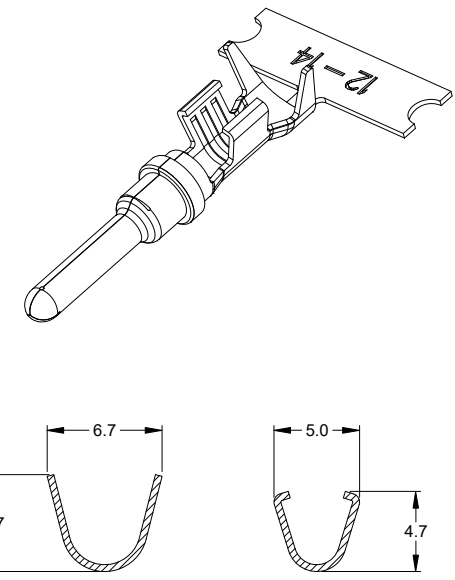
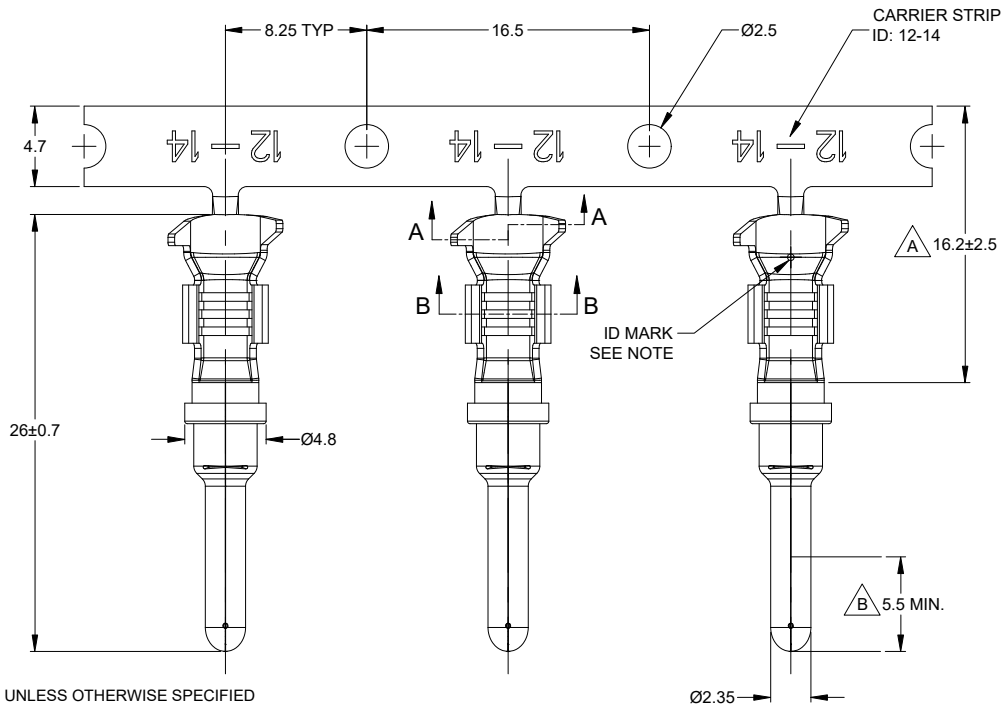


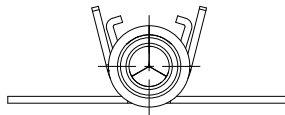
REVISIONS					
REV	ECO	DESCRIPTION	DATE	BY	APPR
A3	--	RELEASE NEW DWG FORMAT	21/OCT/13	DRP	-
A4	--	REVISED PLATING INFO	16/JUN/16	JAH	-
A5	C1070S	UPDATE DRAWING	21/JUN/19	JOE	TOMMY
B1	C1298S	UPDATE PLATING	14/SEP/20	SULLEN	TOMMY
B2	-	ADDED NOTE 9	11/NOV/25	CHRIS	TODD



SECTION A-A SECTION B-B

NOTES: UNLESS OTHERWISE SPECIFIED

- MATERIAL: COPPER ALLOY
- PLATING: SEE PART NUMBER CHART
- CONTACT SIZE: 12
- SPECIFICATIONS:
 - CURRENT RATING: 25 AMPS
 - CONTACT MILLIVOLT DROP: 100 MILLIVOLT DROP @ 25 AMP TEST CURRENT.
 - RoHS COMPLIANT
- RECOMMENDED WIRE RANGE: 12 - 14 AWG (4.0 - 2.0MM²)
RECOMMENDED INSUL O.D: 2.87 - 4.47MM (0.113 - 0.176INCH)
- PACKAGE: 2000 PCS/REEL
- AVAILABLE APPLICATORS: MFX-3973-K OR MFX-3973-G
- ALL DIMENSIONS ARE FOR REFERENCE USE ONLY
- ID MARK PRESENT OR NOT DETERMINES MANUFACTURER SITE



PART NUMBER CHART		
PLATING	PART NUMBER	PLATING DESCRIPTION
NICKEL	AT60-12-0166	SELECTIVE TIN OVER NICKEL OVERALL IN Δ ZONE
GOLD	AT60-12-0144	SELECTIVE GOLD FLASH OVER NICKEL OVERALL IN ∇ ZONE OR ENTIRE CONTACT
TIN	AT60-12-0177	TIN OVER NICKEL OVERALL

SEE PART NUMBER CHART		REF: 1080-12-0144, 1080-12-0166											
PART NUMBER		DESCRIPTION											
QUANTITY		MATERIALS LIST											
UNLESS OTHERWISE SPECIFIED 1) All dimensions are in metric(mm). 2) Tolerances are as follows: 1 PL DEC ±0.30 Fractions ±1/64 2 PL DEC ±0.15 Angles ±1° 3) Note reference = Δ		<table border="1"> <thead> <tr> <th>SIGNATURES</th> <th>DATE</th> </tr> </thead> <tbody> <tr> <td>DRAWN: SULLEN,ZHANG</td> <td>14/SEP/20</td> </tr> <tr> <td>CHECKED: ORION,LI</td> <td>15/SEP/20</td> </tr> <tr> <td>ENGINEER:</td> <td></td> </tr> <tr> <td>APPROVAL: TOMMY,XIE</td> <td>16/SEP/20</td> </tr> </tbody> </table>		SIGNATURES	DATE	DRAWN: SULLEN,ZHANG	14/SEP/20	CHECKED: ORION,LI	15/SEP/20	ENGINEER:		APPROVAL: TOMMY,XIE	16/SEP/20
SIGNATURES	DATE												
DRAWN: SULLEN,ZHANG	14/SEP/20												
CHECKED: ORION,LI	15/SEP/20												
ENGINEER:													
APPROVAL: TOMMY,XIE	16/SEP/20												
MATERIAL SPECIFICATIONS:		<p>Amphenol</p> <p>Sine Systems - www.amphenol-sine.com 44724 Morley Drive Clinton Township, MI 48036</p>											
PROCESS SPECIFICATIONS:		<p>CONTACT, PIN, STAMPED, SIZE 12, 12-14 AWG, A SERIES</p>											
NEXT ASSY:		<table border="1"> <tr> <td>SIZE</td> <td>TYPE</td> <td>DWG NO:</td> <td>REVISION</td> </tr> <tr> <td>B</td> <td>C-</td> <td>AT60-12-01XX</td> <td>B2</td> </tr> </table>	SIZE	TYPE	DWG NO:	REVISION	B	C-	AT60-12-01XX	B2	<table border="1"> <tr> <td>SCALE</td> <td>NONE</td> </tr> </table>	SCALE	NONE
SIZE	TYPE	DWG NO:	REVISION										
B	C-	AT60-12-01XX	B2										
SCALE	NONE												
		SHEET 1 OF 1											

TITLE: CONTACT, PIN, STAMPED, SIZE 12, 12-14 AWG, A SERIES
DWG NO.: AT60-12-01XX
REV: B2
SH: 1
OF: 1