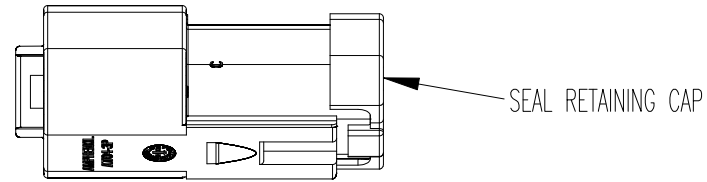


NOTES: UNLESS OTHERWISE SPECIFIED

- ① DIMENSIONS ARE FOR REFERENCE ONLY.
- ② PART NUMBER AT04-3P-RJ120BK IS FULLY ASSEMBLED READY FOR INSTALLATION.
- ③ COLOR TO BE SINE SYSTEMS STANDARD 'AT' BLACK.

REVISIONS						
REV	ZONE	ECO	DESCRIPTION	DATE	BY	APPR
02	--	--	UPDATE CONTACT PART NUMBER	06MAR12	--	RFC
03	--	--	UPDATE DRAWING FORMAT	06NOV13	DRP	DRP
04	--	--	ADDED DATE CODE FEATURE	12DEC24	JHEAD	TZ

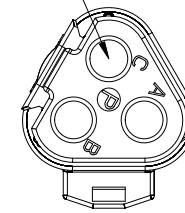
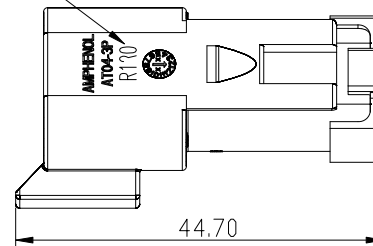
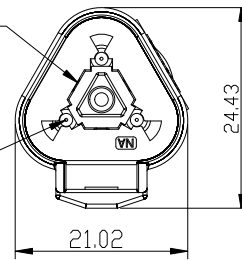


SEAL RETAINING CAP

LASER MARK "R120"
RESISTOR VALUE

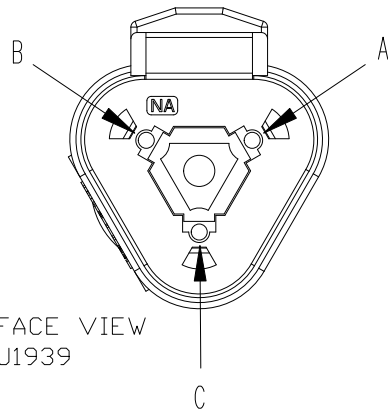
WEDGE
AW3P-1939

MALE CONTACT
MACHINED, GOLD
AT60-202-1631
2x

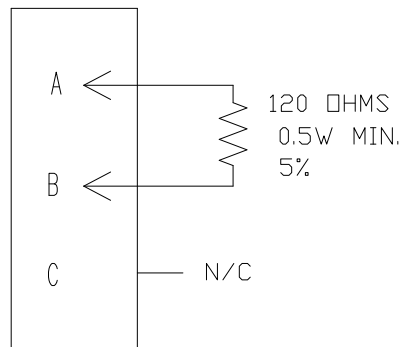


REAR SOLID SEAL

WIRING DIAGRAM



FACE VIEW
J1939



CUSTOMER DRAWING

ITEM	PART NUMBER	Qty	DESCRIPTION	REMARK		
MATERIALS LIST						
UNLESS OTHERWISE SPECIFIED 1) All dimensions are in metric(mm). 2) Tolerances are as follows: 1 PL DEC ±0.20 2 PL DEC ±0.10 3 PL DEC ±0.05			MATERIAL SPECIFICATIONS:	SINE Systems Corporation A Subsidiary of Amphenol Corporation		
Fractions 1/64 Angles ±1°			PROCESS SPECIFICATIONS: IPC-A-620			
SIGNATURE		DATE	THIS DRAWING IS SUPPLIED FOR INFORMATION ONLY. DESIGN FEATURES, SPECIFICATIONS AND PERFORMANCE DATA SHOWN HEREON ARE THE PROPERTY OF THE AMPHENOL CORPORATION. NO RIGHTS OF REPRODUCTION ARE IMPLIED. ALL DIMENSIONS ARE SUBJECT TO NORMAL MANUFACTURING VARIATIONS.			
DRAWN	R. CURRY	02-MAR-12				
CHECKED	R. CURRY	02-MAR-12				
ENGINEER	R. CURRY	02-MAR-12				
APPROVAL	R. CURRY	02-MAR-12				
CUSTOMER	ALL		RECEIPT, 3 WAY, J1939, 120 OHM, BLACK			
			DWG NO: AT04-3P-RJ120BK			
THIRD ANGLE PROJECTION		FSCM NO.	SIZE	MASS	REV.	SCALE
			A3		04	NONE
SHEET 1 OF 1			NEXT ASSY:			