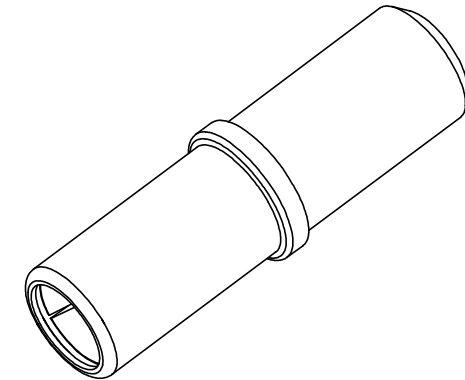
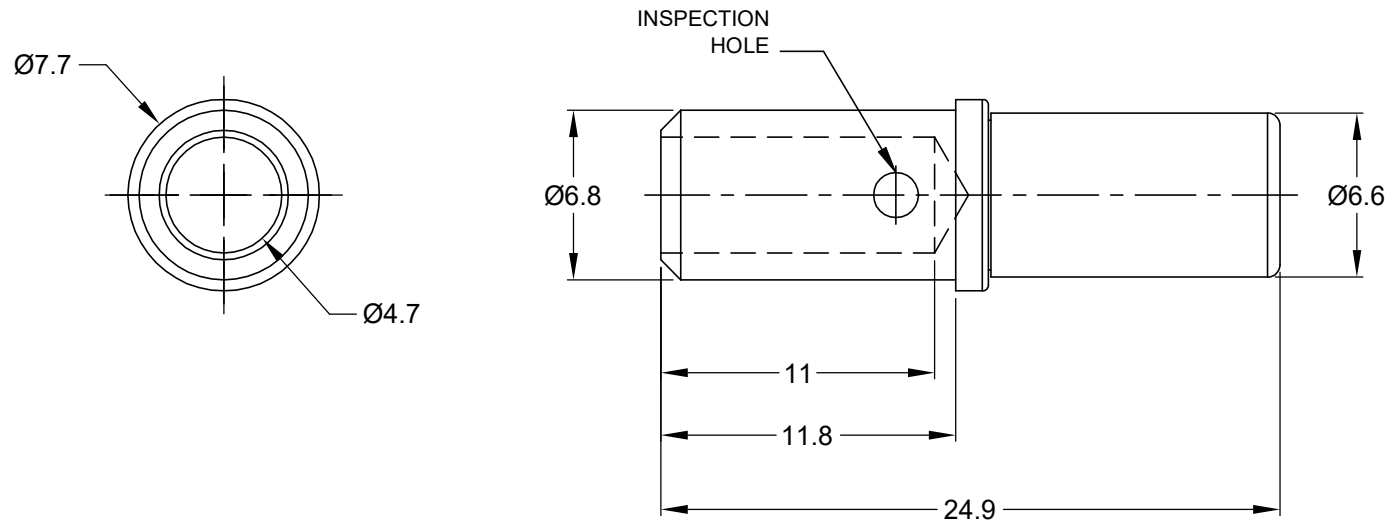


REVISIONS					
REV	ECO	DESCRIPTION	DATE	BY	APPR
A1	-	RELEASE NEW DRAWING	28JUL17	JONY	TOMMY
A2	-	ADD REF P/N & CRIMP TOOL	22/MAR/21	MILO	TOMMY



NOTES: UNLESS OTHERWISE SPECIFIED

1. MATERIAL: COPPER ALLOY,NICKEL PLATED
2. CONTACT SIZE: 8#
3. SPECIFICATIONS:
  - 3.1 CURRENT RATING: 60 AMP
  - 3.2 CONTACT MILLIVOLT DROP: 60 MILLIVOLT DROP @ 60 AMP TEST CURRENT.
  - 3.3 ROHS COMPLIANT
4. RECOMMENDED WIRE RANGE: 8 - 10 AWG(8.0-5.0mm<sup>2</sup>)
5. AVAILABLE PNEUMATIC CRIMP TOOL:WA23
6. ALL DIMENSIONS ARE FOR REFERENCE USE ONLY

TITLE:

CONTACT SOCKET, SIZE 8,8-10 AWG

DWG NO.:

AT62-203-08141

REV: A2

SH: 1

QC: 1

AT62-203-08141		REFERENCE:0462-203-08141	
PART NUMBER		DESCRIPTION	
QUANTITY		ITEM	
<b>MATERIALS LIST</b>			
<p><b>UNLESS OTHERWISE SPECIFIED</b></p> <p>1) All dimensions are in metric(mm).</p> <p>2) Tolerances are as follows:            1 PL DEC ±0.30            2 PL DEC ±0.15            3 PL DEC ±0.08</p> <p>Fractions ±1/64            Angles ±1°</p> <p>3) Note reference = </p>			
SIGNATURES		DATE	
DRAWN: MILO DONG		22/MAR/21	
CHECKED: ORICALLI		23/MAR/21	
ENGINEER:			
APPROVAL: TOMMY XIE		24/MAR/21	
CUSTOMER:			
MATERIAL SPECIFICATIONS:			
PROCESS SPECIFICATIONS:		<p>THIS DRAWING IS SUPPLIED FOR INFORMATION ONLY. DESIGN FEATURES, SPECIFICATIONS AND PERFORMANCE DATA SHOWN HEREON ARE THE PROPERTY OF THE AMPHENOL CORPORATION. NO RIGHTS OF REPRODUCTION ARE IMPLIED. ALL DIMENSIONS ARE SUBJECT TO NORMAL MANUFACTURING VARIATIONS.</p>	
NEXT ASSY:		SCALE: NONE	
		<p>SIZE: B C-</p> <p>TYPE: AT62-203-08141</p> <p>DWG NO: A2</p>	
		<p>SHEET 1 OF 1</p>	

**Amphenol**

Sine Systems - www.amphenol-sine.com  
 44724 Morley Drive  
 Clinton Township, MI 48036

CONTACT SOCKET, SIZE 8,8-10 AWG