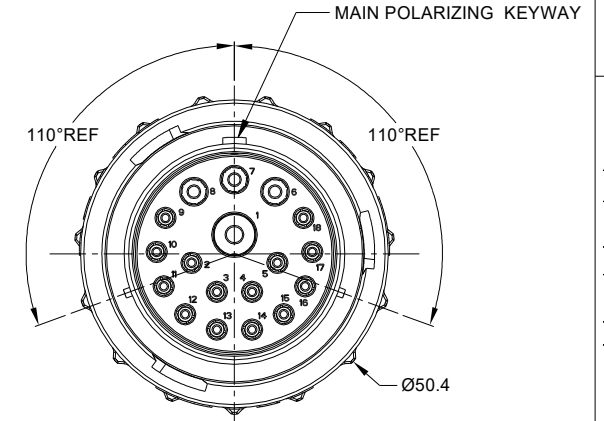
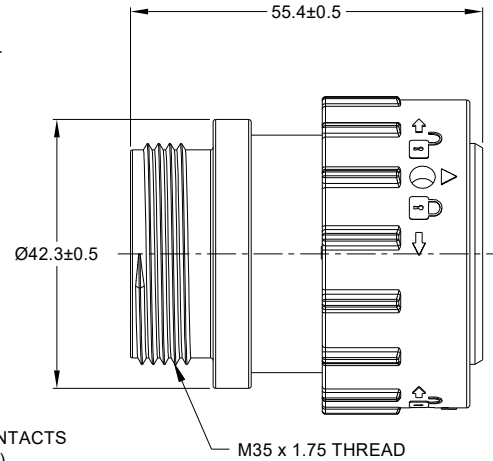
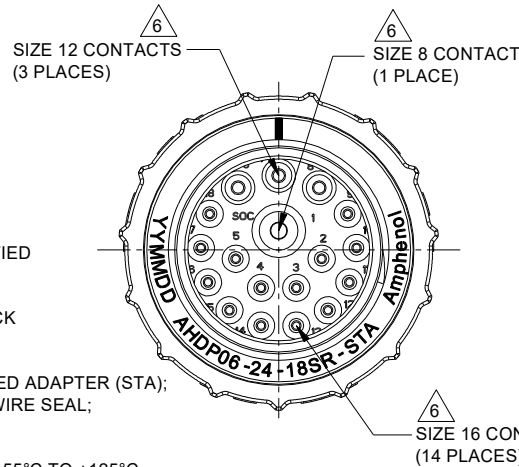


| REVISIONS |     |                     |           |     |       |
|-----------|-----|---------------------|-----------|-----|-------|
| REV       | ECO | DESCRIPTION         | DATE      | BY  | APPR  |
| A1        | -   | RELEASE NEW DRAWING | 23/MAY/23 | MLO | TOMMY |



NOTES: UNLESS OTHERWISE SPECIFIED

- MATERIAL:  
HOUSING: THERMOPLASTIC; BLACK  
SEAL: SILICONE RUBBER
- MODIFICATIONS: SMALL THREADED ADAPTER (STA);  
REDUCED DIA. WIRE SEAL;
- SPECIFICATIONS:  
3.1 OPERATING TEMPERATURE: -55°C TO +125°C.  
3.2 DIELECTRIC WITHSTANDING VOLTAGE: LESS THAN 2  
MILLIAMPS CURRENT LEAKAGE @ 1500 VOLTS AC.  
3.3 INSULATION RESISTANCE: 1000 MEGOHM MIN @ 25°C.  
3.4 MOISTURE RESISTANCE:  
IP68(IM OF WATER FOR A PERIOD OF 24 HOURS, MATED  
CONDITION);  
IP69K(MATED CONDITION)  
3.5 MATING CYCLE DURABILITY: 100 CYCLES  
3.6 RoHS COMPLIANT

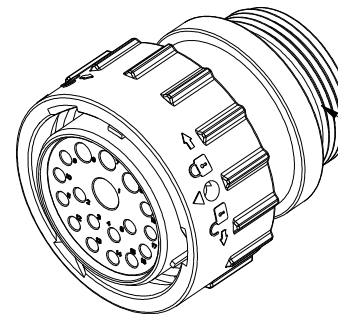
4. MATING PART: AHDP02-24-18P\*-XXX & AHDP04-24-18P\*-XXX  
(\* = SEAL TYPE, XXX = ALL MODIFICATIONS)

5. ALL DIMENSIONS ARE FOR REFERENCE USE ONLY.

6 CONTACT SIZE AND WIRE RANGE:

| CONTACT SIZE | MIN. INSUL O.D.   | MAX. INSUL O.D.   | TYPICAL WIRE RANGE                  | CURRENT RATING |
|--------------|-------------------|-------------------|-------------------------------------|----------------|
| 8            | 3.43 mm (.135 in) | 5.59 mm (.220 in) | 8-10 AWG (10.0-5.0mm <sup>2</sup> ) | 60 AMPS        |
| 12           | 2.46 mm (.097 in) | 4.01 mm (.158 in) | 10-14 AWG (6.0-2.0mm <sup>2</sup> ) | 25 AMPS        |
| 16           | 1.35 mm (.053 in) | 3.05 mm (.120 in) | 14-20 AWG (2.0-0.5mm <sup>2</sup> ) | 13 AMPS        |

7. CONDUIT ADAPTER ACCEPTS BACKSHELL (AHPBS-24L015-005)  
CABLE Ø14.5 ~ Ø18.0.



SMALL THREADED ADAPTER  
-BLUE

|                                      |                    |  |                        |                    |
|--------------------------------------|--------------------|--|------------------------|--------------------|
| QUANTITY                             | AHDP06-24-18SR-STA | DESCRIPTION  | REF:HDP26-24-18SE-L015 | ITEM               |
| <b>MATERIALS LIST</b>                |                    |  |                        |                    |
| UNLESS OTHERWISE SPECIFIED           |                    | SIGNATURES   |                        | DATE               |
| 1) All dimensions are in metric(mm). |                    | DRAWN: MLO.DONG  |                        | 23/MAY/23          |
| 2) Tolerances are as follows:        |                    | CHECKED: SULLENZHANG   |                        | 24/MAY/23          |
| 1 PL DEC ±0.30                       |                    | ENGINEER:  |                        |                    |
| 2 PL DEC ±0.15                       |                    | APPROVAL: TOMMY.XIE  |                        | 25/MAY/23          |
| 3 PL DEC ±0.08                       |                    | CUSTOMER:  |                        |                    |
| 3) Note reference =                  |                    | MATERIAL SPECIFICATIONS:   |                        |                    |
| WEIGHT: 70.2g                        |                    | THIS DRAWING IS SUPPLIED FOR INFORMATION ONLY. DESIGN FEATURES, SPECIFICATIONS AND PERFORMANCE DATA SHOWN HEREON ARE THE PROPERTY OF THE AMPHENOL CORPORATION. NO RIGHTS OF REPRODUCTION ARE IMPLIED. ALL DIMENSIONS ARE SUBJECT TO NORMAL MANUFACTURING VARIATIONS. |                        |                    |
| PROCESS SPECIFICATIONS:              |                    | SIZE   |                        | TYPE               |
| NEXT ASSY:                           |                    | B C-   |                        | AHDP06-24-18SR-STA |
|                                      |                    | SCALE  |                        | REVISION           |
|                                      |                    | NONE   |                        | A1                 |
|                                      |                    | DURAMATE   |                        | SHEET 1 OF 1       |

TITLE: 18POS.PLUG,SOCKET,24SZ,RD SEAL,STADURAMATE AHP  
 DWG NO.: AHDP06-24-18SR-STA  
 REV: A1  
 SH: 1  
 OF: 1

# ARB, ATHD and DuraMate™ Series

## Size 8 Contact & Tooling Options

### Contacts - Machined

| Part Number       | Type   | Style    | Contact Size | Amp | Wire Range (AWG) | Wire Range (mm <sup>2</sup> ) | Insulation OD (mm) | Plating       | Reel Size | Packaging |
|-------------------|--------|----------|--------------|-----|------------------|-------------------------------|--------------------|---------------|-----------|-----------|
| AT60-204-08141-16 | Pin    | Machined | Size 8       | 60A | 6AWG             | -                             | -                  | Nickel-Plated | -         | -         |
| AT60-204-08141    | Pin    | Machined | Size 8       | 60A | 8-10AWG          | -                             | -                  | Nickel-Plated | -         | -         |
| AT62-203-08141-16 | Socket | Machined | Size 8       | 60A | 6AWG             | -                             | -                  | Nickel-Plated | -         | -         |
| AT62-203-08141    | Socket | Machined | Size 8       | 60A | 8-10AWG          | -                             | -                  | Nickel-Plated | -         | -         |

### Tooling

| Part Number | Tool Name                                  | Style    | Contact Size    | Wire Range (AWG)                      | Material | Color  |
|-------------|--|----------|-----------------|---------------------------------------|----------|--------|
| 96-978-22   | Crimper and Die                            | Machined | Size 3.6mm-10mm | 10mm <sup>2</sup> -185mm <sup>2</sup> | n/a      | n/a    |
| AT114008    | Contact Extraction Tool                    | Machined | Size 8          | 8-10AWG                               | Plastic  | Green  |
| WA23        | Pneumatic Crimp Tool                       | Machined | -               | 8-0000AWG                             | -        | -      |
| WA23-2      | WA23 Die Assembly for Pneumatic Crimp Tool | Machined | Size 8          | 8AWG                                  | n/a      | Silver |
| WA23-3      | WA23 Die Assembly for Pneumatic Crimp Tool | Machined | Size 6          | 6AWG                                  | n/a      | n/a    |
| WA23-10     | WA23 Locator for Pneumatic Crimp Tool      | Machined | Size 6          | 6AWG                                  | n/a      | Blue   |

# AHD, ARB, ATP, ATHD, DuraMate™ and PanelMate™ Series

## Size 12 Contact & Tooling Options

### Contacts - Machined

| Part Number        | Type   | Style    | Contact Size | Amp | Wire Range (AWG) | Wire Range (mm <sup>2</sup> ) | Insulation OD (mm) | Plating       | Reel Size | Packaging |
|--------------------|--------|----------|--------------|-----|------------------|-------------------------------|--------------------|---------------|-----------|-----------|
| AT60-204-12141-10  | Pin    | Machined | Size 12      | 25A | 10-12AWG         | -                             | -                  | Nickel-Plated | -         | -         |
| AT60-204-12141     | Pin    | Machined | Size 12      | 25A | 12-14AWG         | -                             | -                  | Nickel-Plated | -         | -         |
| AT60-220-1231      | Pin    | Machined | Size 12      | 25A | 12-14AWG         | -                             | -                  | Gold-Plated   | -         | -         |
| AT60-204-12NKIT    | Pin    | Machined | Size 12      | 25A | 12-14AWG         | -                             | -                  | Nickel-Plated | -         | -         |
| AT60-220-1231-1618 | Pin    | Machined | Size 12      | 25A | 16-18AWG         | -                             | -                  | Gold-Plated   | -         | -         |
| AT60-220-1231-1820 | Pin    | Machined | Size 12      | 25A | 18-20AWG         | -                             | -                  | Gold-Plated   | -         | -         |
| AT62-203-12141-10  | Socket | Machined | Size 12      | 25A | 10-12AWG         | -                             | -                  | Nickel-Plated | -         | -         |
| AT62-203-12141     | Socket | Machined | Size 12      | 25A | 12-14AWG         | -                             | -                  | Nickel-Plated | -         | -         |
| AT62-203-12NKIT    | Socket | Machined | Size 12      | 25A | 12-14AWG         | -                             | -                  | Nickel-Plated | -         | -         |
| AT62-210-1231      | Socket | Machined | Size 12      | 25A | 12-14AWG         | -                             | -                  | Gold-Plated   | -         | -         |
| AT62-210-1231-1618 | Socket | Machined | Size 12      | 25A | 16-18AWG         | -                             | -                  | Gold-Plated   | -         | -         |
| AT62-210-1231-1820 | Socket | Machined | Size 12      | 25A | 18-20AWG         | -                             | -                  | Gold-Plated   | -         | -         |

### Contacts - Stamped & Formed

|                 |        |     |         |     |          |                        |               |               |   |             |
|-----------------|--------|-----|---------|-----|----------|------------------------|---------------|---------------|---|-------------|
| AT60-12-0222    | Pin    | S&F | Size 12 | 25A | 10-12AWG | 6.0-4.0mm <sup>2</sup> | 3.56 - 5.18mm | Nickel-Plated | - | -           |
| AT60-12-0222-LP | Pin    | S&F | Size 12 | 25A | 10-12AWG | 6.0-4.0mm <sup>2</sup> | 3.56 - 5.18mm | Nickel-Plated | - | Loose Piece |
| AT60-12-0244    | Pin    | S&F | Size 12 | 25A | 10-12AWG | 6.0-4.0mm <sup>2</sup> | 3.56 - 5.18mm | Gold-Plated   | - | -           |
| AT60-12-0244-LP | Pin    | S&F | Size 12 | 25A | 10-12AWG | 6.0-4.0mm <sup>2</sup> | 3.56 - 5.18mm | Gold-Plated   | - | Loose Piece |
| AT60-12-0144    | Pin    | S&F | Size 12 | 25A | 12-14AWG | 4.0-2.0mm <sup>2</sup> | 2.87 - 4.47mm | Gold-Plated   | - | -           |
| AT60-12-0144-LP | Pin    | S&F | Size 12 | 25A | 12-14AWG | 4.0-2.0mm <sup>2</sup> | 2.87 - 4.47mm | Gold-Plated   | - | Loose Piece |
| AT60-12-0166    | Pin    | S&F | Size 12 | 25A | 12-14AWG | 4.0-2.0mm <sup>2</sup> | 2.87 - 4.47mm | Nickel-Plated | - | -           |
| AT60-12-0166-LP | Pin    | S&F | Size 12 | 25A | 12-14AWG | 4.0-2.0mm <sup>2</sup> | 2.87 - 4.47mm | Nickel-Plated | - | Loose Piece |
| AT62-12-0222    | Socket | S&F | Size 12 | 25A | 10-12AWG | 6.0-4.0mm <sup>2</sup> | 3.56 - 5.18mm | Nickel-Plated | - | -           |
| AT62-12-0222-LP | Socket | S&F | Size 12 | 25A | 10-12AWG | 6.0-4.0mm <sup>2</sup> | 3.56 - 5.18mm | Nickel-Plated | - | Loose Piece |
| AT62-12-0244    | Socket | S&F | Size 12 | 25A | 10-12AWG | 6.0-4.0mm <sup>2</sup> | 3.56 - 5.18mm | Gold-Plated   | - | -           |
| AT62-12-0244-LP | Socket | S&F | Size 12 | 25A | 10-12AWG | 6.0-4.0mm <sup>2</sup> | 3.56 - 5.18mm | Gold-Plated   | - | Loose Piece |
| AT62-12-0144    | Socket | S&F | Size 12 | 25A | 12-14AWG | 4.0-2.0mm <sup>2</sup> | 2.87 - 4.47mm | Gold-Plated   | - | -           |
| AT62-12-0144-LP | Socket | S&F | Size 12 | 25A | 12-14AWG | 4.0-2.0mm <sup>2</sup> | 2.87 - 4.47mm | Gold-Plated   | - | Loose Piece |
| AT62-12-0166    | Socket | S&F | Size 12 | 25A | 12-14AWG | 4.0-2.0mm <sup>2</sup> | 2.87 - 4.47mm | Nickel-Plated | - | -           |
| AT62-12-0166-LP | Socket | S&F | Size 12 | 25A | 12-14AWG | 4.0-2.0mm <sup>2</sup> | 2.87 - 4.47mm | Nickel-Plated | - | Loose Piece |

### Tooling

| Part Number | Tool Name                                      | Style    | Contact Size  | Wire Range (AWG) | Material | Color |
|-------------|--|----------|---------------|------------------|----------|-------|
| MXF-3966    | Contact Locator for Hand Crimp Tool M300-25A   | Machined | Size 12       | 10AWG            | -        | -     |
| AUTK-12     | Hand Crimp Tool                                | Machined | Size 12       | 10-18AWG         | -        | -     |
| M300-25A    | Hand Crimp Tool w MXF-3966 Locator             | Machined | Size 12       | 10-18AWG         | -        | -     |
| CA-5E12     | Pneumatic Crimp Tool                           | Machined | Size 12/16/20 | 12-26AWG         | -        | -     |
| CA-5D12     | Universal Hand Crimp Tool                      | Machined | Size 12/16/20 | 12-26AWG         | -        | -     |
| AUTK-100    | Universal Heavy Duty Contact Crimping Tool Kit | Machined | Size 12/16/20 | 12-26AWG         | -        | -     |

# AHD, ARB, ATP, ATHD, DuraMate™ and PanelMate™ Series

## Size 12 Contact & Tooling Options, cont.

Tooling, cont.

| Part Number    | Tool Name                             | Style     | Contact Size | Wire Range (AWG) | Material      | Color  |
|----------------|---------------------------------------|-----------|--------------|------------------|---------------|--------|
| MX-3973-G or K | Crimp Die Press Applicator            | S&F       | Size 12      | 12AWG            | -             | -      |
| MX-3985-G or K | Crimp Die Press Applicator            | S&F       | Size 12      | 10-12AWG         | -             | -      |
| ATT-12-00      | Hand Crimp Tool                       | S&F       | Size 12      | 12-14AWG         | -             | -      |
| ATT-12-01      | Hand Crimp Tool                       | S&F       | Size 12      | 10AWG            | -             | -      |
| ATRT-100       | Contact and Wedgelock Extraction Tool | Universal | Universal    | -                | Steel         | Silver |
| AT11-337-1205  | Contact Extraction Tool               | Universal | Size 12      | -                | Plastic       | Orange |
| A114017        | Seal Plug                             | Universal | Size 12/16   | -                | Thermoplastic | White  |
|                |                                       |           |              |                  |               |        |

# AT, ATV, AHD, ARB, ARC, DuraMate™ and PanelMate™ Series

## Size 16 Contact & Tooling Options

### Contacts - Machined

| Part Number       | Type   | Style    | Contact Size | Amp | Wire Range (AWG) | Wire Range (mm <sup>2</sup> ) | Insulation OD (mm) | Plating       | Reel Size | Packaging |
|-------------------|--------|----------|--------------|-----|------------------|-------------------------------|--------------------|---------------|-----------|-----------|
| AT60-215-16141    | Pin    | Machined | Size 16      | 13A | 14AWG            | -                             | -                  | Nickel-Plated | -         | -         |
| AT60-215-1631     | Pin    | Machined | Size 16      | 13A | 14AWG            | -                             | -                  | Gold-Plated   | -         | -         |
| AT60-202-16NKIT   | Pin    | Machined | Size 16      | 13A | 16-20AWG         | -                             | -                  | Nickel-Plated | -         | -         |
| AT60-202-16141    | Pin    | Machined | Size 16      | 13A | 16-20AWG         | -                             | -                  | Nickel-Plated | -         | -         |
| AT60-202-1631     | Pin    | Machined | Size 16      | 13A | 16-20AWG         | -                             | -                  | Gold-Plated   | -         | -         |
| AT60-202-16141-22 | Pin    | Machined | Size 16      | 13A | 22-24AWG         | -                             | -                  | Nickel-Plated | -         | -         |
| AT60-202-1631-22  | Pin    | Machined | Size 16      | 13A | 22-24AWG         | -                             | -                  | Gold-Plated   | -         | -         |
| AT62-209-16141    | Socket | Machined | Size 16      | 13A | 14AWG            | -                             | -                  | Nickel-Plated | -         | -         |
| AT62-209-1631     | Socket | Machined | Size 16      | 13A | 14AWG            | -                             | -                  | Gold-Plated   | -         | -         |
| AT62-201-16NKIT   | Socket | Machined | Size 16      | 13A | 16-20AWG         | -                             | -                  | Nickel-Plated | -         | -         |
| AT62-201-16141    | Socket | Machined | Size 16      | 13A | 16-20AWG         | -                             | -                  | Nickel-Plated | -         | -         |
| AT62-201-1631     | Socket | Machined | Size 16      | 13A | 16-20AWG         | -                             | -                  | Gold-Plated   | -         | -         |
| AT62-201-16141-22 | Socket | Machined | Size 16      | 13A | 22-24AWG         | -                             | -                  | Nickel-Plated | -         | -         |
| AT62-201-1631-22  | Socket | Machined | Size 16      | 13A | 22-24AWG         | -                             | -                  | Gold-Plated   | -         | -         |

### Contacts - Stamped & Formed

|                 |        |     |         |     |          |                         |               |               |       |             |
|-----------------|--------|-----|---------|-----|----------|-------------------------|---------------|---------------|-------|-------------|
| AT60-14-0122    | Pin    | S&F | Size 16 | 13A | 14-18AWG | 2.0-0.75mm <sup>2</sup> | 2.40 - 3.81mm | Nickel-Plated | -     | -           |
| AT60-14-0122-LP | Pin    | S&F | Size 16 | 13A | 14-18AWG | 2.0-0.75mm <sup>2</sup> | 2.40 - 3.81mm | Nickel-Plated | -     | Loose Piece |
| AT60-14-0144    | Pin    | S&F | Size 16 | 13A | 14-18AWG | 2.0-0.75mm <sup>2</sup> | 2.40 - 3.81mm | Gold-Plated   | -     | -           |
| AT60-14-0144-LP | Pin    | S&F | Size 16 | 13A | 14-18AWG | 2.0-0.75mm <sup>2</sup> | 2.40 - 3.81mm | Gold-Plated   | -     | Loose Piece |
| AT60-16-0122    | Pin    | S&F | Size 16 | 13A | 16-18AWG | 1.5-0.75mm <sup>2</sup> | 1.91 - 3.55mm | Nickel-Plated | -     | -           |
| AT60-16-0122-LP | Pin    | S&F | Size 16 | 13A | 16-18AWG | 1.5-0.75mm <sup>2</sup> | 1.91 - 3.55mm | Nickel-Plated | -     | Loose Piece |
| AT60-16-0144    | Pin    | S&F | Size 16 | 13A | 16-18AWG | 1.5-0.75mm <sup>2</sup> | 1.91 - 3.55mm | Gold-Plated   | -     | -           |
| AT60-16-0144-LP | Pin    | S&F | Size 16 | 13A | 16-18AWG | 1.5-0.75mm <sup>2</sup> | 1.91 - 3.55mm | Gold-Plated   | -     | Loose Piece |
| AT60-16-0622    | Pin    | S&F | Size 16 | 13A | 16-20AWG | 1.0-0.5mm <sup>2</sup>  | 1.40 - 2.54mm | Nickel-Plated | -     | -           |
| AT60-16-0622-LP | Pin    | S&F | Size 16 | 13A | 16-20AWG | 1.0-0.5mm <sup>2</sup>  | 1.40 - 2.54mm | Nickel-Plated | -     | Loose Piece |
| AT60-16-0644    | Pin    | S&F | Size 16 | 13A | 16-20AWG | 1.0-0.5mm <sup>2</sup>  | 1.40 - 2.54mm | Gold-Plated   | -     | -           |
| AT60-16-0644-LP | Pin    | S&F | Size 16 | 13A | 16-20AWG | 1.0-0.5mm <sup>2</sup>  | 1.40 - 2.54mm | Gold-Plated   | -     | Loose Piece |
| AT60-16-0322    | Pin    | S&F | Size 16 | 13A | 20-22AWG | 0.5-0.35mm <sup>2</sup> | 1.31 - 1.50mm | Nickel-Plated | -     | -           |
| AT60-16-0344    | Pin    | S&F | Size 16 | 13A | 20-22AWG | 0.5-0.35mm <sup>2</sup> | 1.31 - 1.50mm | Gold-Plated   | -     | -           |
| AT60-16-0377    | Pin    | S&F | Size 16 | 13A | 20-22AWG | 0.5-0.35mm <sup>2</sup> | 1.31 - 1.50mm | Tin-Plated    | -     | -           |
| AT60-16-0822    | Pin    | S&F | Size 16 | 13A | 20-22AWG | 0.5-0.35mm <sup>2</sup> | 1.31 - 1.50mm | Nickel-Plated | 4,000 | -           |
| AT60-16-0844    | Pin    | S&F | Size 16 | 13A | 20-22AWG | 0.5-0.35mm <sup>2</sup> | 1.31 - 1.50mm | Gold-Plated   | 4,000 | -           |
| AT62-14-0122    | Socket | S&F | Size 16 | 13A | 14-18AWG | 2.0-0.75mm <sup>2</sup> | 2.40 - 3.81mm | Nickel-Plated | -     | -           |
| AT62-14-0122-LP | Socket | S&F | Size 16 | 13A | 14-18AWG | 2.0-0.75mm <sup>2</sup> | 2.40 - 3.81mm | Nickel-Plated | -     | Loose Piece |
| AT62-14-0144    | Socket | S&F | Size 16 | 13A | 14-18AWG | 2.0-0.75mm <sup>2</sup> | 2.40 - 3.81mm | Gold-Plated   | -     | -           |
| AT62-14-0144-LP | Socket | S&F | Size 16 | 13A | 14-18AWG | 2.0-0.75mm <sup>2</sup> | 2.40 - 3.81mm | Gold-Plated   | -     | Loose Piece |
| AT62-16-0122    | Socket | S&F | Size 16 | 13A | 16-18AWG | 1.5-0.75mm <sup>2</sup> | 1.91 - 3.55mm | Nickel-Plated | -     | -           |
| AT62-16-0122-LP | Socket | S&F | Size 16 | 13A | 16-18AWG | 1.5-0.75mm <sup>2</sup> | 1.91 - 3.55mm | Nickel-Plated | -     | Loose Piece |
| AT62-16-0144    | Socket | S&F | Size 16 | 13A | 16-18AWG | 1.5-0.75mm <sup>2</sup> | 1.91 - 3.55mm | Gold-Plated   | -     | -           |

# AT, ATV, AHD, ARB, ARC, DuraMate™ and PanelMate™ Series

## Size 16 Contact & Tooling Options, cont.

Contacts - Stamped & Formed, cont.

| Part Number     | Type   | Style | Contact Size | Amp | Wire Range (AWG) | Wire Range (mm <sup>2</sup> ) | Insulation OD (mm) | Plating       | Reel Size | Packaging   |
|-----------------|--------|-------|--------------|-----|------------------|-------------------------------|--------------------|---------------|-----------|-------------|
| AT62-16-0144-LP | Socket | S&F   | Size 16      | 13A | 16-18AWG         | 1.5-0.75mm <sup>2</sup>       | 1.91 - 3.55mm      | Gold-Plated   | -         | Loose Piece |
| AT62-16-0622    | Socket | S&F   | Size 16      | 13A | 16-20AWG         | 1.0-0.5mm <sup>2</sup>        | 1.40 - 2.54mm      | Nickel-Plated | -         | -           |
| AT62-16-0622-LP | Socket | S&F   | Size 16      | 13A | 16-20AWG         | 1.0-0.5mm <sup>2</sup>        | 1.40 - 2.54mm      | Nickel-Plated | -         | Loose Piece |
| AT62-16-0644    | Socket | S&F   | Size 16      | 13A | 18-20AWG         | 1.0-0.5mm <sup>2</sup>        | 1.40 - 2.54mm      | Gold-Plated   | -         | -           |
| AT62-16-0644-LP | Socket | S&F   | Size 16      | 13A | 18-20AWG         | 1.0-0.5mm <sup>2</sup>        | 1.40 - 2.54mm      | Gold-Plated   | -         | Loose Piece |
| AT62-16-0822    | Socket | S&F   | Size 16      | 13A | 20-22AWG         | 0.5-0.35mm <sup>2</sup>       | 1.31 - 1.50mm      | Nickel-Plated | 4,000     | -           |
| AT62-16-0844    | Socket | S&F   | Size 16      | 13A | 20-22AWG         | 0.5-0.35mm <sup>2</sup>       | 1.31 - 1.50mm      | Gold-Plated   | 4,000     | -           |

Tooling

| Part Number      | Tool Name                                      | Style     | Contact Size  | Wire Range (AWG) | Material      | Color   |
|------------------|--|-----------|---------------|------------------|---------------|---------|
| AUTK-16          | Hand Crimp Tool                                | Machined  | Size 16       | -                | -             | -       |
| AUTK-100         | Universal Heavy Duty Contact Crimping Tool Kit | Machined  | Size 12/16/20 | 12-26AWG         | -             | -       |
| CA-5D12          | Universal Hand Crimp Tool                      | Machined  | Size 12/16/20 | 12-26AWG         | -             | -       |
| CA-5E12          | Pneumatic Crimp Tool                           | Machined  | Size 12/16/20 | 12-26AWG         | -             | -       |
| MFX-3950-G or K  | Crimp Die Press Applicator                     | S&F       | Size 16       | 18-20AWG         | -             | -       |
| MFX-3953-G or K  | Crimp Die Press Applicator                     | S&F       | Size 16       | 16-18AWG         | -             | -       |
| MFX-3975-G or K  | Crimp Die Press Applicator                     | S&F       | Size 16       | 14-16AWG         | -             | -       |
| MFX-3990         | Crimp Die                                      | S&F       | Size 16       | 20-22AWG         | -             | -       |
| ATT-16-00        | Hand Crimp Tool                                | S&F       | Size 16       | 14-16AWG         | -             | -       |
| ATT-16-01        | Hand Crimp Tool                                | S&F       | Size 16       | 18-20AWG         | -             | -       |
| ATT-1612-03      | Hand Crimp Tool                                | S&F       | Size 12/16    | 20-22AWG         | -             | -       |
| ATRT-100         | Contact and Wedgelock Extraction Tool          | Universal | Universal     | -                | Steel         | Silver  |
| AT11-310-1605    | Contact Extraction Tool                        | Universal | Size 16       | -                | Plastic       | Lt Blue |
| A114017          | Seal Plug                                      | Universal | Size 12/16    | -                | Thermoplastic | White   |
| A114017-SR       | Seal Plug                                      | Universal | Size 16       | -                | Thermoplastic | Black   |
| AT13-217-1605    | Locking Seal Plug                              | Universal | Size 16       | -                | Thermoplastic | Grey    |
| AT13-217-1605-SR | Locking Seal Plug                              | Universal | Size 16       | -                | Thermoplastic | Red     |