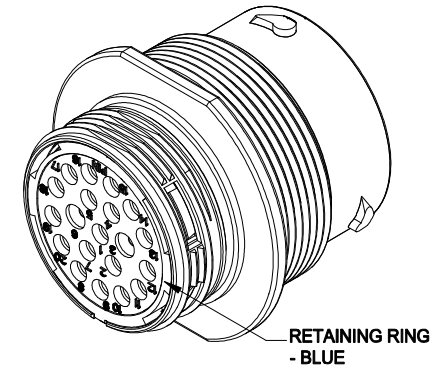
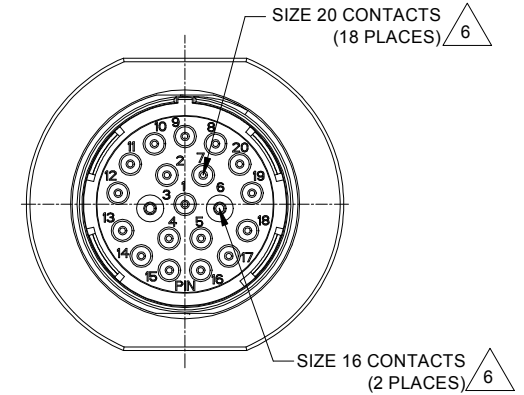
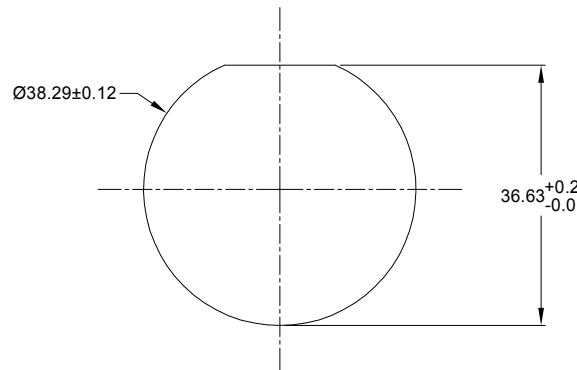


| REVISIONS | | | | | |
|-----------|-----|-------------------------|-----------|--------|-------|
| REV | ECO | DESCRIPTION | DATE | BY | APPR |
| A1 | - | RELEASE NEW DRAWING | 17/OCT/18 | BROOK | TOMMY |
| A2 | - | ADD MORE MATERIAL NOTES | 24/OCT/18 | ROOKIE | TOMMY |



NOTES: UNLESS OTHERWISE SPECIFIED

- MATERIAL:**
SHELL: ZINC ALLOY, NICKEL PLATED
INSERT AND RETAINING RING: THERMOPLASTIC
SEAL: SILICONE RUBBER
- MODIFICATIONS:** THREADED HOUSING; REDUCED DIA. SEAL
- SPECIFICATIONS:**
 - OPERATING TEMPERATURE: -55°C TO +125°C.
 - DIELECTRIC WITHSTANDING VOLTAGE: LESS THAN 2 MILLIAMPS CURRENT LEAKAGE @ 1500 VOLTS AC.
 - INSULATION RESISTANCE: 1000 MEGOHM MIN @ 25°C.
 - MOISTURE RESISTANCE: IP67&IP69K (MATED CONDITION).
 - MATING CYCLE DURABILITY: 100 CYCLES
 - RoHS COMPLIANT
- MATING PART:** AHDM06-18-20S* (* = SEAL TYPE)
- ALL DIMENSIONS ARE FOR REFERENCE USE ONLY.**



RECOMMENDED PANEL MOUNTING HOLE
RECOMMENDED PANEL THICKNESS: 1.6 TO 4.7MM

6. CONTACT SIZE AND WIRE RANGE:

| CONTACT SIZE | MIN. INSUL O.D. | MAX. INSUL O.D. | TYPICAL WIRE RANGE | CURRENT RATING |
|--------------|-------------------|-------------------|--------------------|----------------|
| 20 | 1.02 mm (.040 in) | 2.41 mm (.095 in) | 16-22 AWG | 7.5 AMPS |
| 16 | 1.35 mm (.053 in) | 3.05 mm (.120 in) | 14-20 AWG | 13 AMPS |

| | | | | |
|--|-------------|--|------|----------------|
| AHDM04-18-20PR | | DESCRIPTION | | ITEM |
| QUANTITY | PART NUMBER | MATERIALS LIST | | |
| UNLESS OTHERWISE SPECIFIED 1) All dimensions are in metric (mm). 2) Tolerances are as follows: 1 PL DEC ±0.30 Fractions ±1/64 2 PL DEC ±0.15 Angles ±1° 3 PL DEC ±0.08 | | | | |
| SIGNATURES | | DATE | | |
| DRAWN: ROOKIE | | 24/OCT/18 | | |
| CHECKED: ORION | | 24/OCT/18 | | |
| ENGINEER: | | | | |
| APPROVAL: TOMMY | | 24/OCT/18 | | |
| MATERIAL SPECIFICATIONS: | | CUSTOMER: | | |
| PROCESS SPECIFICATIONS: | | THIS DRAWING IS SUPPLIED FOR INFORMATION ONLY. DESIGN FEATURES, SPECIFICATIONS AND PERFORMANCE DATA SHOWN HEREON ARE THE PROPERTY OF THE AMPHENOL CORPORATION. NO RIGHTS OF REPRODUCTION ARE IMPLIED. ALL DIMENSIONS ARE SUBJECT TO NORMAL MANUFACTURING VARIATIONS. | | |
| NEXT ASSY: | | SIZE | TYPE | DWG NO. |
| | | B C- | | AHDM04-18-20PR |
| | | SCALE | NONE | REVISION A2 |

Amphenol

Sine Systems - www.amphenol-sine.com
44724 Morley Drive
Clinton Township, MI 48036

RECPT, 18 SZ 20 PIN, RD, WIDE THD

TITLE: RECPT, 18 SZ 20 PIN, RD, WIDE THD
DWG NO.: AHDM04-18-20PR
REV: A2
SH: 1
OF: 1

AT, ATV, AHD, ARB, ARC, DuraMate™ and PanelMate™ Series

Size 16 Contact & Tooling Options

Contacts - Machined

| Part Number | Type | Style | Contact Size | Amp | Wire Range (AWG) | Wire Range (mm ²) | Insulation OD (mm) | Plating | Reel Size | Packaging |
|-------------------|--------|----------|--------------|-----|------------------|-------------------------------|--------------------|---------------|-----------|-----------|
| AT60-215-16141 | Pin | Machined | Size 16 | 13A | 14AWG | - | - | Nickel-Plated | - | - |
| AT60-215-1631 | Pin | Machined | Size 16 | 13A | 14AWG | - | - | Gold-Plated | - | - |
| AT60-202-16NKIT | Pin | Machined | Size 16 | 13A | 16-20AWG | - | - | Nickel-Plated | - | - |
| AT60-202-16141 | Pin | Machined | Size 16 | 13A | 16-20AWG | - | - | Nickel-Plated | - | - |
| AT60-202-1631 | Pin | Machined | Size 16 | 13A | 16-20AWG | - | - | Gold-Plated | - | - |
| AT60-202-16141-22 | Pin | Machined | Size 16 | 13A | 22-24AWG | - | - | Nickel-Plated | - | - |
| AT60-202-1631-22 | Pin | Machined | Size 16 | 13A | 22-24AWG | - | - | Gold-Plated | - | - |
| AT62-209-16141 | Socket | Machined | Size 16 | 13A | 14AWG | - | - | Nickel-Plated | - | - |
| AT62-209-1631 | Socket | Machined | Size 16 | 13A | 14AWG | - | - | Gold-Plated | - | - |
| AT62-201-16NKIT | Socket | Machined | Size 16 | 13A | 16-20AWG | - | - | Nickel-Plated | - | - |
| AT62-201-16141 | Socket | Machined | Size 16 | 13A | 16-20AWG | - | - | Nickel-Plated | - | - |
| AT62-201-1631 | Socket | Machined | Size 16 | 13A | 16-20AWG | - | - | Gold-Plated | - | - |
| AT62-201-16141-22 | Socket | Machined | Size 16 | 13A | 22-24AWG | - | - | Nickel-Plated | - | - |
| AT62-201-1631-22 | Socket | Machined | Size 16 | 13A | 22-24AWG | - | - | Gold-Plated | - | - |

Contacts - Stamped & Formed

| | | | | | | | | | | |
|-----------------|--------|-----|---------|-----|----------|-------------------------|---------------|---------------|-------|-------------|
| AT60-14-0122 | Pin | S&F | Size 16 | 13A | 14-18AWG | 2.0-0.75mm ² | 2.40 - 3.81mm | Nickel-Plated | - | - |
| AT60-14-0122-LP | Pin | S&F | Size 16 | 13A | 14-18AWG | 2.0-0.75mm ² | 2.40 - 3.81mm | Nickel-Plated | - | Loose Piece |
| AT60-14-0144 | Pin | S&F | Size 16 | 13A | 14-18AWG | 2.0-0.75mm ² | 2.40 - 3.81mm | Gold-Plated | - | - |
| AT60-14-0144-LP | Pin | S&F | Size 16 | 13A | 14-18AWG | 2.0-0.75mm ² | 2.40 - 3.81mm | Gold-Plated | - | Loose Piece |
| AT60-16-0122 | Pin | S&F | Size 16 | 13A | 16-18AWG | 1.5-0.75mm ² | 1.91 - 3.55mm | Nickel-Plated | - | - |
| AT60-16-0122-LP | Pin | S&F | Size 16 | 13A | 16-18AWG | 1.5-0.75mm ² | 1.91 - 3.55mm | Nickel-Plated | - | Loose Piece |
| AT60-16-0144 | Pin | S&F | Size 16 | 13A | 16-18AWG | 1.5-0.75mm ² | 1.91 - 3.55mm | Gold-Plated | - | - |
| AT60-16-0144-LP | Pin | S&F | Size 16 | 13A | 16-18AWG | 1.5-0.75mm ² | 1.91 - 3.55mm | Gold-Plated | - | Loose Piece |
| AT60-16-0622 | Pin | S&F | Size 16 | 13A | 16-20AWG | 1.0-0.5mm ² | 1.40 - 2.54mm | Nickel-Plated | - | - |
| AT60-16-0622-LP | Pin | S&F | Size 16 | 13A | 16-20AWG | 1.0-0.5mm ² | 1.40 - 2.54mm | Nickel-Plated | - | Loose Piece |
| AT60-16-0644 | Pin | S&F | Size 16 | 13A | 16-20AWG | 1.0-0.5mm ² | 1.40 - 2.54mm | Gold-Plated | - | - |
| AT60-16-0644-LP | Pin | S&F | Size 16 | 13A | 16-20AWG | 1.0-0.5mm ² | 1.40 - 2.54mm | Gold-Plated | - | Loose Piece |
| AT60-16-0322 | Pin | S&F | Size 16 | 13A | 20-22AWG | 0.5-0.35mm ² | 1.31 - 1.50mm | Nickel-Plated | - | - |
| AT60-16-0344 | Pin | S&F | Size 16 | 13A | 20-22AWG | 0.5-0.35mm ² | 1.31 - 1.50mm | Gold-Plated | - | - |
| AT60-16-0377 | Pin | S&F | Size 16 | 13A | 20-22AWG | 0.5-0.35mm ² | 1.31 - 1.50mm | Tin-Plated | - | - |
| AT60-16-0822 | Pin | S&F | Size 16 | 13A | 20-22AWG | 0.5-0.35mm ² | 1.31 - 1.50mm | Nickel-Plated | 4,000 | - |
| AT60-16-0844 | Pin | S&F | Size 16 | 13A | 20-22AWG | 0.5-0.35mm ² | 1.31 - 1.50mm | Gold-Plated | 4,000 | - |
| AT62-14-0122 | Socket | S&F | Size 16 | 13A | 14-18AWG | 2.0-0.75mm ² | 2.40 - 3.81mm | Nickel-Plated | - | - |
| AT62-14-0122-LP | Socket | S&F | Size 16 | 13A | 14-18AWG | 2.0-0.75mm ² | 2.40 - 3.81mm | Nickel-Plated | - | Loose Piece |
| AT62-14-0144 | Socket | S&F | Size 16 | 13A | 14-18AWG | 2.0-0.75mm ² | 2.40 - 3.81mm | Gold-Plated | - | - |
| AT62-14-0144-LP | Socket | S&F | Size 16 | 13A | 14-18AWG | 2.0-0.75mm ² | 2.40 - 3.81mm | Gold-Plated | - | Loose Piece |
| AT62-16-0122 | Socket | S&F | Size 16 | 13A | 16-18AWG | 1.5-0.75mm ² | 1.91 - 3.55mm | Nickel-Plated | - | - |
| AT62-16-0122-LP | Socket | S&F | Size 16 | 13A | 16-18AWG | 1.5-0.75mm ² | 1.91 - 3.55mm | Nickel-Plated | - | Loose Piece |
| AT62-16-0144 | Socket | S&F | Size 16 | 13A | 16-18AWG | 1.5-0.75mm ² | 1.91 - 3.55mm | Gold-Plated | - | - |

AT, ATV, AHD, ARB, ARC, DuraMate™ and PanelMate™ Series

Size 16 Contact & Tooling Options, cont.

Contacts - Stamped & Formed, cont.

| Part Number | Type | Style | Contact Size | Amp | Wire Range (AWG) | Wire Range (mm ²) | Insulation OD (mm) | Plating | Reel Size | Packaging |
|-----------------|--------|-------|--------------|-----|------------------|-------------------------------|--------------------|---------------|-----------|-------------|
| AT62-16-0144-LP | Socket | S&F | Size 16 | 13A | 16-18AWG | 1.5-0.75mm ² | 1.91 - 3.55mm | Gold-Plated | - | Loose Piece |
| AT62-16-0622 | Socket | S&F | Size 16 | 13A | 16-20AWG | 1.0-0.5mm ² | 1.40 - 2.54mm | Nickel-Plated | - | - |
| AT62-16-0622-LP | Socket | S&F | Size 16 | 13A | 16-20AWG | 1.0-0.5mm ² | 1.40 - 2.54mm | Nickel-Plated | - | Loose Piece |
| AT62-16-0644 | Socket | S&F | Size 16 | 13A | 18-20AWG | 1.0-0.5mm ² | 1.40 - 2.54mm | Gold-Plated | - | - |
| AT62-16-0644-LP | Socket | S&F | Size 16 | 13A | 18-20AWG | 1.0-0.5mm ² | 1.40 - 2.54mm | Gold-Plated | - | Loose Piece |
| AT62-16-0822 | Socket | S&F | Size 16 | 13A | 20-22AWG | 0.5-0.35mm ² | 1.31 - 1.50mm | Nickel-Plated | 4,000 | - |
| AT62-16-0844 | Socket | S&F | Size 16 | 13A | 20-22AWG | 0.5-0.35mm ² | 1.31 - 1.50mm | Gold-Plated | 4,000 | - |

Tooling

| Part Number | Tool Name | Style | Contact Size | Wire Range (AWG) | Material | Color |
|------------------|--|-----------|---------------|------------------|---------------|---------|
| AUTK-16 | Hand Crimp Tool | Machined | Size 16 | - | - | - |
| AUTK-100 | Universal Heavy Duty Contact Crimping Tool Kit | Machined | Size 12/16/20 | 12-26AWG | - | - |
| CA-5D12 | Universal Hand Crimp Tool | Machined | Size 12/16/20 | 12-26AWG | - | - |
| CA-5E12 | Pneumatic Crimp Tool | Machined | Size 12/16/20 | 12-26AWG | - | - |
| MFX-3950-G or K | Crimp Die Press Applicator | S&F | Size 16 | 18-20AWG | - | - |
| MFX-3953-G or K | Crimp Die Press Applicator | S&F | Size 16 | 16-18AWG | - | - |
| MFX-3975-G or K | Crimp Die Press Applicator | S&F | Size 16 | 14-16AWG | - | - |
| MFX-3990 | Crimp Die | S&F | Size 16 | 20-22AWG | - | - |
| ATT-16-00 | Hand Crimp Tool | S&F | Size 16 | 14-16AWG | - | - |
| ATT-16-01 | Hand Crimp Tool | S&F | Size 16 | 18-20AWG | - | - |
| ATT-1612-03 | Hand Crimp Tool | S&F | Size 12/16 | 20-22AWG | - | - |
| ATRT-100 | Contact and Wedgelock Extraction Tool | Universal | Universal | - | Steel | Silver |
| AT11-310-1605 | Contact Extraction Tool | Universal | Size 16 | - | Plastic | Lt Blue |
| A114017 | Seal Plug | Universal | Size 12/16 | - | Thermoplastic | White |
| A114017-SR | Seal Plug | Universal | Size 16 | - | Thermoplastic | Black |
| AT13-217-1605 | Locking Seal Plug | Universal | Size 16 | - | Thermoplastic | Grey |
| AT13-217-1605-SR | Locking Seal Plug | Universal | Size 16 | - | Thermoplastic | Red |

ATM, DuraMate™ and PanelMate™ Series

Size 20 Contact & Tooling Options

Contacts - Machined

| Part Number | Type | Style | Contact Size | Amp | Wire Range (AWG) | Wire Range (mm ²) | Insulation OD (mm) | Plating | Reel Size | Packaging |
|-------------------|--------|----------|--------------|------|------------------|-------------------------------|--------------------|---------------|-----------|-----------|
| AT60-010-20141 | Pin | Machined | Size 20 | 7.5A | 16-18AWG | - | - | Nickel-Plated | - | - |
| AT60-010-2031 | Pin | Machined | Size 20 | 7.5A | 16-18AWG | - | - | Gold-Plated | - | - |
| AT60-202-20NKIT | Pin | Machined | Size 20 | 7.5A | 18-22AWG | - | - | Nickel-Plated | - | - |
| AT60-202-20141 | Pin | Machined | Size 20 | 7.5A | 20-22AWG | - | - | Nickel-Plated | - | - |
| AT60-202-2031 | Pin | Machined | Size 20 | 7.5A | 20-22AWG | - | - | Gold-Plated | - | - |
| AT60-202-2031-22 | Pin | Machined | Size 20 | 5A | 22-26AWG | - | - | Gold-Plated | - | - |
| AT60-202-20141-22 | Pin | Machined | Size 20 | 5A | 22-26AWG | - | - | Nickel-Plated | - | - |
| AT62-005-20141 | Socket | Machined | Size 20 | 7.5A | 16-18AWG | - | - | Nickel-Plated | - | - |
| AT62-005-2031 | Socket | Machined | Size 20 | 7.5A | 16-18AWG | - | - | Gold-Plated | - | - |
| AT62-201-20NKIT | Socket | Machined | Size 20 | 7.5A | 20-22AWG | - | - | Nickel-Plated | - | - |
| AT62-201-20141 | Socket | Machined | Size 20 | 7.5A | 20-22AWG | - | - | Nickel-Plated | - | - |
| AT62-201-2031 | Socket | Machined | Size 20 | 7.5A | 20-22AWG | - | - | Gold-Plated | - | - |
| AT62-20-0422 | Socket | Machined | Size 20 | 7.5A | 20-22AWG | - | - | Nickel-Plated | - | - |
| AT62-20-0444 | Socket | Machined | Size 20 | 7.5A | 20-22AWG | - | - | Gold-Plated | - | - |
| AT62-201-2031-22 | Socket | Machined | Size 20 | 5A | 22-26AWG | - | - | Gold-Plated | - | - |
| AT62-201-20141-22 | Socket | Machined | Size 20 | 5A | 22-26AWG | - | - | Nickel-Plated | - | - |

Contacts - Stamped & Formed

| | | | | | | | | | | |
|-----------------|--------|-----|---------|------|----------|-------------------------|---------------|---------------|---|-------------|
| AT60-20-0122 | Pin | S&F | Size 20 | 7.5A | 16-22AWG | 1.5-0.35mm ² | 1.91 - 3.15mm | Nickel-Plated | - | - |
| AT60-20-0122-LP | Pin | S&F | Size 20 | 7.5A | 16-22AWG | 1.5-0.35mm ² | 1.91 - 3.15mm | Nickel-Plated | - | Loose Piece |
| AT60-20-0144 | Pin | S&F | Size 20 | 7.5A | 16-22AWG | 1.5-0.35mm ² | 1.91 - 3.15mm | Gold-Plated | - | - |
| AT60-20-0144-LP | Pin | S&F | Size 20 | 7.5A | 16-22AWG | 1.5-0.35mm ² | 1.91 - 3.15mm | Gold-Plated | - | Loose Piece |
| AT60-20-0222 | Pin | S&F | Size 20 | 7.5A | 16-22AWG | 1.5-0.35mm ² | 1.30 - 2.16mm | Nickel-Plated | - | - |
| AT60-20-0244 | Pin | S&F | Size 20 | 7.5A | 16-22AWG | 1.5-0.35mm ² | 1.30 - 2.16mm | Gold-Plated | - | - |
| AT60-20-0277 | Pin | S&F | Size 20 | 7.5A | 16-22AWG | 1.5-0.35mm ² | 1.30 - 2.16mm | Tin-Plated | - | - |
| AT60-20-0422 | Pin | S&F | Size 20 | 7.5A | 20-22AWG | 0.5-0.35mm ² | 1.25 - 1.8mm | Nickel-Plated | - | - |
| AT60-20-0444 | Pin | S&F | Size 20 | 7.5A | 20-22AWG | 0.5-0.35mm ² | 1.25 - 1.8mm | Gold-Plated | - | - |
| AT62-20-0122 | Socket | S&F | Size 20 | 7.5A | 16-22AWG | 1.5-0.35mm ² | 1.91 - 3.15mm | Nickel-Plated | - | - |
| AT62-20-0122-LP | Socket | S&F | Size 20 | 7.5A | 16-22AWG | 1.5-0.35mm ² | 1.91 - 3.15mm | Nickel-Plated | - | Loose Piece |
| AT62-20-0144 | Socket | S&F | Size 20 | 7.5A | 16-22AWG | 1.5-0.35mm ² | 1.91 - 3.15mm | Gold-Plated | - | - |
| AT62-20-0144-LP | Socket | S&F | Size 20 | 7.5A | 16-22AWG | 1.5-0.35mm ² | 1.91 - 3.15mm | Gold-Plated | - | Loose Piece |
| AT62-20-0222 | Socket | S&F | Size 20 | 7.5A | 16-22AWG | 1.5-0.35mm ² | 1.30 - 2.16mm | Nickel-Plated | - | - |
| AT62-20-0244 | Socket | S&F | Size 20 | 7.5A | 16-22AWG | 1.5-0.35mm ² | 1.30 - 2.16mm | Gold-Plated | - | - |
| AT62-20-0277 | Socket | S&F | Size 20 | 7.5A | 16-22AWG | 1.5-0.35mm ² | 1.30 - 2.16mm | Tin-Plated | - | - |
| AT62-20-0422 | Socket | S&F | Size 20 | 7.5A | 20-22AWG | 0.5-0.35mm ² | 1.25 - 1.8mm | Nickel-Plated | - | - |
| AT62-20-0444 | Socket | S&F | Size 20 | 7.5A | 20-22AWG | 0.5-0.35mm ² | 1.25 - 1.8mm | Gold-Plated | - | - |

ATM, DuraMate™ and PanelMate™ Series Size 20 Contact & Tooling Options, cont.

Tooling

| Part Number | Tool Name | Style | Contact Size | Wire Range (AWG) | Material | Color |
|-------------------|--|-----------|---------------|------------------|---------------|--------|
| AUTK-20 | Hand Crimp Tool | Machined | Size 20 | 12-26AWG | - | - |
| AUTK-100 | Universal Heavy Duty Contact Crimping Tool Kit | Machined | Size 12/16/20 | 12-26AWG | - | - |
| CA-5D12 | Universal Hand Crimp Tool | Machined | Size 12/16/20 | 12-26AWG | - | - |
| CA-5E12 | Pneumatic Crimp Tool | Machined | Size 12/16/20 | 12-26AWG | - | - |
| MFX-3974-G or K | Crimp Die Press Applicator | S&F | Size 20 | 20AWG | - | - |
| MFX-3976-G or K | Crimp Die Press Applicator | S&F | Size 20 | 20-22AWG | - | - |
| MFX-3978-G or K | Crimp Die Press Applicator | S&F | Size 20 | 20-22AWG | - | - |
| ATT-20-00 | Hand Crimp Tool | S&F | Size 20 | 16-20AWG | - | - |
| ATRT-100 | Contact and Wedgelock Extraction Tool | Universal | Universal | - | Steel | Silver |
| AT11-240-2005 | Contact Extraction Tool | Universal | Size 20 | - | Plastic | Red |
| AT13-204-2005 | Seal Plug | Universal | Size 20 | - | Thermoplastic | White |
| AT13-204-2005-SR | Seal Plug | Universal | Size 20 | n/a | Thermoplastic | Black |
| ATM13-217-2005 | Locking Seal Plug | Universal | Size 20 | - | Thermoplastic | Grey |
| ATM13-217-2005-SR | Locking Seal Plug | Universal | Size 20 | - | Thermoplastic | Blue |
| | | | | | | |